

System Introduction

S E C T I O N 1

1.1 Specifications

Downloading Software Support

- PC1555 uses DLS-1 v6.3 and up

Flexible Zone Configuration

- Six fully programmable zones; system expandable to eight zones using keypad zone inputs and wireless zones
- 38 access codes: one master code, one maintenance code, two duress codes, two supervision codes and 32 general access codes
- 27 zone types; 8 programmable zone attributes
- Normally closed, single EOL and double EOL zone wiring
- Eight wireless zones available using the PC5132 Wireless Receiver

Audible Alarm Output

- Supervised Bell Output (current limited at 3 amps), 12V_{DC}
- Steady or Pulsed Output

EEPROM Memory

- Does not lose programming or system status on complete AC and Battery failure

Programmable Outputs

- One programmable voltage output and one programmable voltage output/input; 21 programmable options
- PGM1 = 50mA; PGM2 = 300mA

Powerful 1.5 Amp Regulated Power Supply

- 550 mA Auxiliary Supply, 12 V_{DC}
- Positive Temperature Coefficient (PTC) components replace fuses
- Supervision for loss of AC power, low battery
- Internal clock locked to AC power frequency

Power Requirements

- Transformer = 16.5 V_{AC}, 40VA
- Battery = 12 volt 4 Ah minimum rechargeable sealed lead acid battery

Remote Keypad Specifications

- Three keypads available:
 - PC1555RKZ eight zone LED keypad with zone input
 - PC5508Z eight zone LED keypad with zone input
 - LCD5500Z Alphanumeric keypad with zone input
- All keypads have five programmable function keys
- Connect up to eight keypads
- 4-wire (Quad) connection to Keybus
- Built in piezoelectric buzzer

Digital Communicator Specifications

- Supports major communication formats including SIA and Contact ID
- Event-initiated personal paging
- Three programmable telephone numbers
- Two account numbers
- Supports LINKS1000 cellular communication
- Supports LINKS2X50 Long Range Radio Transmitter
- DTMF and pulse dialing
- DPDT line seizure
- Anti-jam feature
- Split reporting of selected transmissions to each telephone number

System Supervision Features

The PC1555 continuously monitors a number of possible trouble conditions including:

- AC power failure
- Trouble by zone
- Tamper by zone
- Fire trouble
- Telephone line trouble
- Failure to communicate
- Low battery condition
- Bell output trouble
- Module fault (supervisory or loss of internal clock)
- AUX Power Supply Trouble

False Alarm Prevention Features

- Audible Exit Delay
- Audible Exit Fault
- Communication Delay
- Urgency on Entry Delay
- Quick Exit

Additional Features

- Auto Arm at specified time
- Keypad-activated alarm output and communicator test
- All modules connect to the system via a four wire Keybus up to 1000'/330m from main panel
- An event buffer which records the past 128 events with both the time and date at which they occurred; buffer can be printed using PC5400 serial interface module, or viewed with the LCD5500Z keypad.
- Supports the addition of the PC5132 Wireless receiver for integration of wireless devices
- Uploading and downloading capability
- Local downloading capability through the use of the PC-LINK adaptor
- Added Keybus fault protection: clock and data outputs have been programmed to withstand shorts to +12v to prevent control panel damage

1.2 Additional Devices

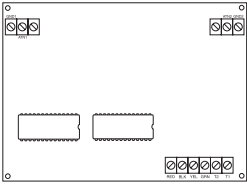
Keypads

A maximum of eight keypads can be connected to the control panel and can be any combination of the following listed:

- **PC1555RKZ** 8 zone LED keypad with function keys (number keys 1-5) and zone input
- **PC5508Z** 8 zone LED keypad with function keys and zone input
- **LCD5500Z** LCD keypad with function keys and zone input

PC5132 Wireless Receiver

The PC5132 Wireless Receiver can be used to connect up to 8 wireless devices to the system. All devices are spread spectrum, 900 MHz, fully supervised devices which use standard 'AAA' or 'AA' alkaline batteries.



Seven additional devices are available. They are as follows:

WLS904 Wireless Motion Detector

The wireless motion detector can be used in conjunction with the PC5132 wireless receiver to include wireless space protection. The unit comes with four 'AAA' batteries.

WLS905 Wireless Universal Transmitter

The wireless universal transmitter can be used in conjunction with the PC5132 Wireless Receiver module to add wireless door or window contacts. The universal transmitter comes with three 'AAA' batteries and has built-in contacts. The unit also provides terminals for connecting hardwire contacts.

WLS906 Wireless Smoke Detector

The wireless smoke detector can be used in conjunction with the PC5132 wireless receiver to include wireless smoke detection. The unit comes with six 'AA' batteries.

WLS907 Wireless Slimline Universal Transmitter

The wireless slimline universal transmitter can be used with the PC5132 wireless receiver to add wireless door or window contacts. The unit is smaller than the WLS905. The unit comes with three 'AAA' batteries and has built-in contacts.

WLS908 Wireless Panic Pendant

The wireless panic pendant can be used in conjunction with the PC5132 Wireless Receiver to include personal protection. When used, the unit will indicate a non-medical emergency to the central station.

The unit comes with 1 mini 12V battery. The disposable unit is ultrasonically sealed and the battery is not user serviceable.

WLS909 Wireless Key

The wireless key can be used in conjunction with the PC5132 wireless receiver to include a simple and mobile method of arming and disarming the system. The unit comes with three photo/electronic 1.5V batteries which can be replaced by the user.

The PC1555 system can have a maximum of 16 wireless keys.

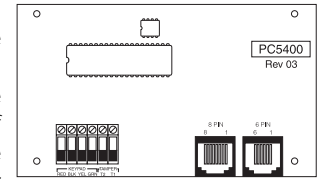
WLS910 Wireless Handheld Keypad

The wireless handheld keypad can be used in conjunction with the PC5132 Wireless Receiver to include a simple and mobile method of arming and disarming the system. The unit comes with three 'AAA' batteries.

The PC1555 system can have a maximum of four wireless handheld keypads.

PC5400 Printer Module

This module will give you the added advantage for the commercial customers who like the idea of a permanent record of openings and closings, but are put off by the additional monthly monitoring charge. In addition, as reports are generated in real-time, the customer will not have to wait for a monthly report from the monitoring station.



The PC5400 Printer Module will allow the panel to print out all events that occur on the system to any serial printer. The printout will contain the time, date and the event that occurred.

LINKS 1000 Cellular Communicator

The LINKS 1000 Cellular Communicator provides an efficient, cost-effective method for adding cellular backup to the security system. The LINKS 1000 Cellular Communicator can be used three different ways: as the sole communicator for the panel, as a backup for either or both phone numbers or as a redundant backup to the land line communicator where the panel will call both the land line and via the LINKS. The unit comes in its own cabinet with antenna and requires a separate battery and transformer (see Section 5.26 "LINKS 1000 Cellular Communicator").

Cabinets

Several different cabinets are available for the PC1555 modules. They are as follows:

PC5003C Cabinet

Main control cabinet for the PC1555 main panel. Dimensions 288mm x 298mm x 78mm / 11.3" x 11.7" x 3" approximately.

PC500 Cabinet with Removable Door

Main control cabinet for the PC1555 main panel. Dimensions 213mm x 235mm x 78mm / 8.4" x 9.25" x 3" approximately.

PC5004C Cabinet

Cabinet to house the PC5400 Printer Module. Dimensions 229mm x 178mm x 65mm / 9" x 7" x 2.6" approximately.

1.3 Out of the Box

Please verify that the following components are included in your system:

- one PC5003C main control cabinet
- one PC1555 main control circuit board
- one PC1555RKZ keypad with zone input
- one Installation Manual with programming worksheets
- one Instruction Manual for the end user
- one hardware pack consisting of:
 - one mylar cabinet label
 - four plastic circuit board standoffs
 - fourteen 5600Ω (5.6K) resistors
 - one 2200Ω (2.2K) resistor
 - one 1000Ω (1K) resistor
 - ground connection assembly
 - one cabinet door plug

Getting Started

S E C T I O N 2

The following sections provide a thorough description of how to wire and configure devices and zones.

2.1 Installation Steps

The following steps are provided to assist you with installing the panel. We suggest that you read this section completely before you begin. Once you have an overall understanding of the installation process, carefully work through each step. Working in this manner will reduce the number of problems as well as the amount of time required for a complete installation.

Step 1: Create a Layout

Draw a rough sketch of the building to get an idea of where all alarm detection devices, keypads and other modules are to be located.

Step 2: Mounting the Panel

Locate the panel in a dry area close to an unswitched AC power source and the incoming telephone line. Before attaching the cabinet to the wall, be sure to press the four circuit board mounting studs into the cabinet from the back. After you have attached the cabinet to the wall, stick the provided DSC logo sticker on the front of the cabinet.



You must complete all wiring before connecting the battery, or applying AC to the panel.

Step 3: Wiring the Keybus (Section 2.3)

Wire the Keybus to each of the modules following the guidelines provided in Section 2.3 of this manual.

Step 4: Zone Wiring (Section 2.8)

You must power down the control panel to complete all zone wiring. Please refer to Section 2.8 when connecting zones using normally closed loops, single EOL resistors, double EOL resistors, Fire zones and Keyswitch Arming zones.

Step 5: Complete Wiring (Section 2.2)

Complete all other wiring including bells or sirens, phone line connections, and ground connections following the guidelines provided in Section 2.2 ("Terminal Descriptions").

Step 6: Power up the Control

Once all zone and Keybus wiring is complete, power up the control panel. First, connect the red battery lead to the positive terminal and the black lead to negative. Then, connect the AC.



Connect the battery before connecting the AC. The panel will not power up on the battery connection alone.

Step 7: Keypad Assignment (Section 2.5)

In order for keypads to be properly supervised, each must be assigned to a different slot. Please follow the guidelines provided in Section 2.5 when assigning keypads.

Step 8: Supervision (Section 2.6)

The supervision of every module by the panel is automatically enabled upon power up. Please verify that all modules appear on the system according to the instructions in Section 2.6.

Step 9: Programming the System (Sections 4 and 5)

Section 4 explains how to program the panel. Section 5 contains a complete description of the various programmable features, which options are available and how they function. The

Programming Worksheets should be filled out completely before attempting to program the system.

Step 10: Testing the System

The panel must be thoroughly tested to ensure that all features and functions are operating as programmed.

2.2 Terminal Descriptions

Battery Connection

A 12V 4Ah rechargeable battery is used as a back up source of power in the event of an AC power failure. The battery also provides additional current when the panel's demands exceed the power output of the transformer, such as when the panel is in alarm.



Do not connect the battery until all other wiring is complete. Connect the battery before connecting the AC.

Connect the RED battery lead to the positive battery terminal; connect the BLACK lead to negative.

AC Terminals – AC

The panel requires a 16.5 volt, 40 VA transformer. Connect the transformer to an unswitched AC source and connect the transformer to these terminals.



Do not connect the transformer until all other wiring is complete.

Auxiliary Power Terminals – AUX+ and AUX-

These terminals provide up to 550 mA of additional current at 12 Vdc for devices requiring power. Connect the positive side of any device requiring power to the AUX+ terminal, the negative side to AUX- (ground). The AUX output is protected. This means that if too much current is drawn from these terminals (such as a wiring short), the panel will temporarily shut off the output until the problem is corrected.

Bell Output Terminals – BELL+ and BELL- (Section 3.4)

These terminals provide up to 700 mA of continuous current at 12 Vdc for powering bells, sirens, strobes or other warning-type equipment. Connect the positive side of any alarm warning device to BELL+, the negative side to BELL-. Please note that the Bell output is protected: if too much current is drawn from these terminals (such as a wiring short), the Bell PTC will open. Three amps can be drawn for short periods only.

The Bell output is supervised. If no alarm warning devices are in use, connect a 1000Ω resistor across BELL+ and BELL- to prevent the panel from displaying a trouble condition. For more information, please refer to Section 3.4 ("[*] [2] Trouble Display").

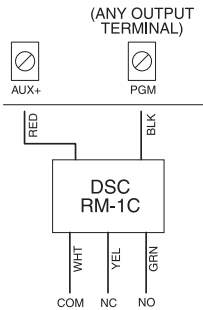
The bell is programmed by default to terminate after four minutes. The **Bell Cutoff** time can be adjusted in programming section [005] ("System Times").

Keybus Terminals – AUX+, AUX-, YEL, GRN (Section 2.3)

The Keybus is used by the panel to communicate with modules and vice versa. Each module has four Keybus terminals that must be connected to the four Keybus terminals on the panel. For more information, see Section 2.3 ("Keybus Operation and Wiring").

Programmable Output Terminals – PGM1 and PGM2

Each PGM output is designed so that when activated by the panel, the terminal will switch to ground.



PGM1 can sink up to 50mA of current. Connect the positive side of the LED or buzzer to AUX+, the negative side to PGM1. If more than 50 mA of current are required, a relay must be used. Please study PGM wiring in the accompanying diagram.

PGM2 operates similarly to PGM1. However, PGM2 can sink up to 300mA of current. PGM2 can be configured for use with 2-wire smoke detectors.

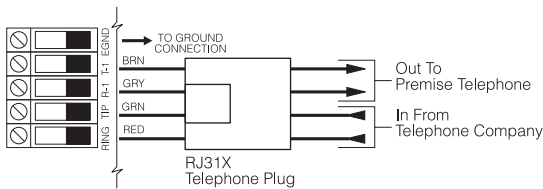
For a list of the programmable output options, please see Section 5.11 "PGM Output Options."

Zone Input Terminals – Z1 to Z6

Each detection device must be connected to a zone on the control panel. We suggest that one detection device be connected to each zone; wiring multiple detection devices to a single zone, however, is possible. For zone wiring specifics, please see Section 2.8 ("Zone Wiring").

Telephone Connection Terminals – TIP, RING, T-1, R-1

If a telephone line is required for central station communication or downloading, connect an RJ-31X telephone jack in the following manner:



! Please ensure that all plugs and jacks meet the dimension, tolerance and metallic plating requirements of 47 C.F.R. Part 68, SubPart F. For proper operation, no other telephone equipment should be connected between the control panel and the telephone company facilities. Do not connect the alarm panel communicator to telephone lines intended for use with a fax machine. These lines may incorporate a voice filter which disconnects the line if anything other than fax signals are detected, resulting in incomplete transmissions.

2.3 Keybus Operation and Wiring

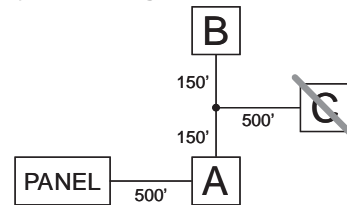
The Keybus is used by the panel to communicate with all connected modules and vice versa. The red (AUX+) and black (AUX-) terminals are used to provide power, while the yellow (YEL) and green (GRN) terminals are clock and data respectively.

! The four Keybus terminals of the panel must be connected to the four Keybus terminals or wires of all modules.

The following restrictions apply to Keybus wiring:

- Keybus should be run in minimum 22 gauge quad (0.5mm); two pair twist is preferred.
- The modules should be home-run to the panel but can be connected in series or T-tapped.
- Any module can be connected anywhere along the Keybus. You do not need to run a separate Keybus wire for keypads, etc.
- No module can be more than 1,000'/330m (in wire length) from the panel.
- Shielded wire should not be used.

Example of Keybus Wiring



NOTE:

Module (A) is correctly wired within 1,000'/330m of wire from the panel.

Module (B) is correctly wired within 1,000'/330m of wire from the panel.

Module (C) is NOT wired correctly as it is further than 1,000'/330m from the panel, in wire distance.

2.4 Current Ratings – Modules and Accessories

In order for the PC1555 system to operate properly, the power output capabilities of the main control and the expansion devices must not be exceeded. Use the data presented below to ensure that no part of the system is overloaded and cannot function properly.

PC1555 (12 Vdc)

AUX+: 550mA: includes one keypad. Subtract the listed rating for each additional keypad, expansion module and accessory connected to AUX+ or Keybus.

BELL: 700mA continuous rating; 3.0A short term. Available only with standby battery connected.

PC1555 Device Ratings (at 12 Vdc)

- LCD5500Z Keypad: 75-85mA
- PC1555RKZ Keypad: 75-85mA
- PC5508Z Keypad: 75-85mA
- PC5400 Serial Module: 65mA
- PC5132 Wireless Receiver: 125mA

Other Devices

Please read the manufacturer's literature carefully to determine the maximum current requirements for each device—during

activation or alarm—and include the proper values for loading calculations. Connected devices must not exceed system capabilities during any possible operational mode.

2.5 Keypad Enrollment

There are eight available slots for keypads. LED keypads by default are always enrolled in slot 1; the LCD5500Z is always enrolled in slot 8. Each keypad should be enrolled in a different slot (1 to 8). Keypad enrollment is required since the panel must know which slots are occupied in order to generate a fault when a supervisory is not present.

! Each keypad with an assigned zone must be enrolled in it's own slot.

How to Enroll Keypads

! Each keypad must be enrolled one at a time. After enrolling all keypads, a supervisory reset should be performed.

To enroll a keypad in a slot, enter the following:
 1. Enter Installer Programming
 2. Press [000] for Keypad Programming
 3. Press [0] for Slot Assignment
 4. Enter a two digit number (11-18) to specify which supervisory slot the keypad will occupy.
 Press the [#] key twice to exit programming. Continue this procedure at each keypad until they have all been enrolled in the correct slot.

! When using more than one LCD keypad, be sure that only one is enrolled in slot number 8.

2.6 Supervision

By default, all modules are supervised upon installation. Supervision is enabled at all times so that the panel can indicate a trouble if a module is removed from the system.

To check on which modules are currently connected and supervised, enter programming section [903] from installer's programming. The LCD keypad will allow you to scroll through the display of connected modules. A connected module which does not show as being present will appear as a trouble condition and the Trouble light on the keypad will turn ON. This condition may be due to one or more of the following reasons:

- the module is not connected to the Keybus
- there is a Keybus wiring problem
- the module is more than 1,000'/330m from the panel
- the module does not have enough power

For more information regarding module supervision troubles, please refer to Section 3.4 ("[*] [2] Trouble Conditions").

2.7 Removing Modules

The panel must be instructed to no longer supervise a module being removed from the system. To remove the module, disconnect it from the Keybus and reset the supervision field by entering [902] in the installer's programming. The panel will be reset to recognize and supervise all existing modules on the system.

2.8 Zone Wiring

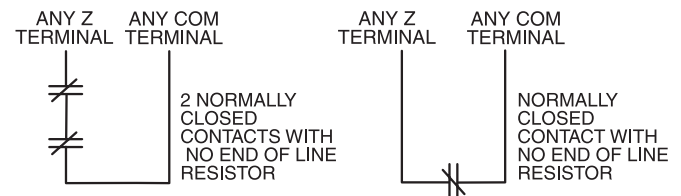
For a complete description of the operation of all zone types, please refer to Section 5.2 ("Zone Programming").

There are several different ways in which zones may be wired, depending on which programming options have been selected. Please refer to the following diagrams to study each type of individually supervised zone wiring.

! Any zone defined as Fire or 24 Hour Links Supervisory will automatically require a single End of Line (EOL) resistor regardless of which type of zone wiring supervision is selected. (See Section 5.2 "Zone Programming.") Reconfiguring the zone supervision from a non-default setting—from DEOL to EOL or from NC to DEOL—may disable zones 1-8 while open or in trouble. To prevent this situation, the system should be powered down completely and powered up again.

Normally Closed (NC) Loops

To enable normally closed loops, programming section [013], option [1] must be ON (see Section 4 "How to Program").

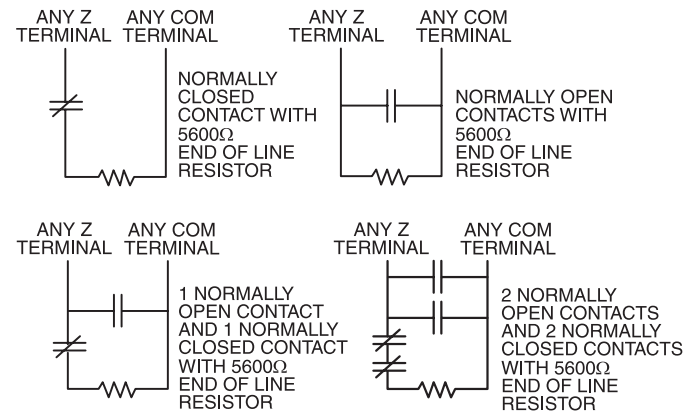


! This option should only be selected if Normally Closed (NC) detection devices or contacts are being used.

.....
 Normally Closed Loops Section [013]: [1]

Single End Of Line (EOL) Resistors (5600Ω)

To enable single end of line resistors, programming section [013], option [1] and option [2] must be OFF (see Section 4 "How to Program").



! This option should be selected if either Normally Closed (NC) or Normally Open (NO) detection devices or contacts are being used.

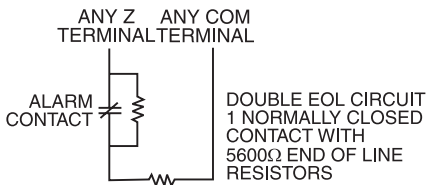
- End of Line Resistors Section [013]: [1]
- Single End of Line Resistors Section [013]: [2]

Double End of Line (DEOL) Resistors

! *If the Double EOL option is enabled, all hardwire zones must also be wired for Double EOL resistors.*

Double End of Line resistors allow the panel to determine if the zone is in alarm, tampered or faulted.

To enable double end of line resistors, programming section [013], option [1] must be OFF and option [2] must be ON (see Section 4 "How to Program").



! *This option can only be selected if Normally Closed (NC) detection devices or contacts are being used (ie: Do not use DEOL resistors for Fire zones or LINKS Supervisory zones). Only one NC contact can be connected to each zone. Wiring multiple detection devices or contacts on a single loop is not allowed.*

! *Keypad zones do not support DEOL resistors.*

The following chart shows zone status under certain conditions:

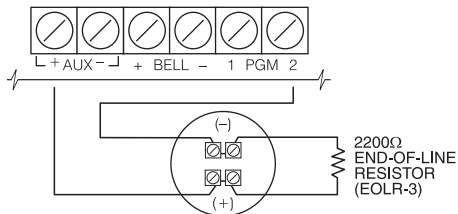
Loop Resistance	Loop Status
0Ω (shorted wire, loop shorted)	Fault
5600Ω (contact closed)	Secure
Infinite (broken wire, loop open)	Tamper
11200Ω (contact open)	Violated

- End of Line Resistors Section [013]: [1]
- Double End of Line Resistors Section [013]: [2]

2.9 Fire Zone Wiring

2-Wire Smoke Detectors

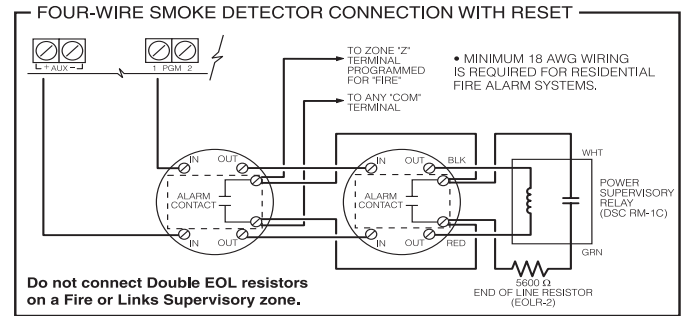
The following 2-wire smoke detectors may be used: ESL429AT and DSC MN220. If PGM2 has been programmed for a 2-wire Smoke Detector connection, the detectors must be wired according to the following diagram:



! *If PGM2 is programmed for 2-wire smoke support, the connector JP1 on the main board must be removed.*

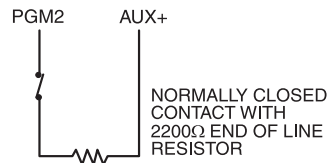
4-Wire Smoke Detectors

All fire zones must be wired according to the following diagram:



2.10 24-Hr Auxiliary Input Wiring (PGM2)

If PGM2 has been programmed for 24-hour operation, the zone must be wired according to the following diagram:

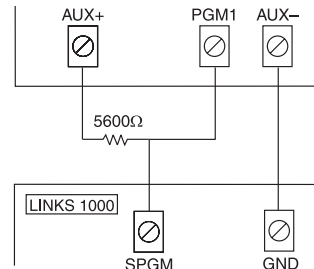


! *If PGM2 is programmed for 24-hour operation, the connector JP1 on the main board must be removed.*

2.11 LINKS Zone Wiring

LINKS Support

When using the LINKS 1000 cellular communicator, the connection must be made according to the accompanying diagram.

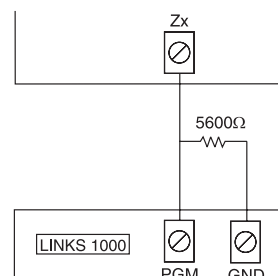


LINKS Supervisory

When using the LINKS 1000 cellular communicator, any main board zone may be configured for LINKS Supervisory.

With a LINKS Supervisory zone, if the LINKS 1000 experiences a trouble, the zone will be violated, causing the panel to report the event to the central station. This type of zone *always* requires a single EOL resistor (5600Ω).

The LINKS Supervisory zone must be wired according to the accompanying diagram.

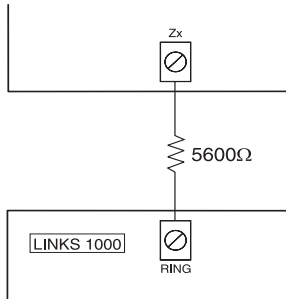


LINKS Answer

When using the LINKS 1000 cellular communicator, any main board zone may be configured for LINKS Answer.

A zone configured for LINKS Answer allows downloading to be performed in the event of phone line failure. When the LINKS receives a phone call, it will activate the RING terminal on the LINKS circuit board. The zone programmed as LINKS Answer *always* requires a single EOL resistor (5600Ω).

The LINKS Answer zone must be wired according to the accompanying diagram.



! *The LINKS Answer zone is only required for downloading to the panel via the LINKS.*

! *Keypad zones cannot be used for LINKS Supervisory or LINKS Answer.*

2.12 Keypad Zones

Keypads with zone inputs can be connected to devices such as door contacts. This saves you from running wires back to the control panel for every device.

To install the keypad, open the keypad plastic by removing the screw at the bottom of the unit. Locate the five terminals on the keypad circuit board. Connect the four Keybus wires from the control panel: the red wire to R, the black to B, the yellow to Y and the green to G.

To connect the zone, run one wire to the Z terminal and the other to B. For powered devices, use red and black to supply power to the device. Run the red wire to the R (positive) terminal and the black wire to the B (negative) terminal.

When using end of line supervision, connect the zone according to one of the configurations outlined in Section 2.8 "Zone Wiring." **End of line resistors must be placed on the device end of the loop, not at the keypad.**

! *Keypad zones do not support DEOL resistors.*

Assigning Keypad Zones

When using keypad zone inputs, each input used must be assigned a zone number in Installer's Programming.

First, ensure that you have enrolled all installed keypads into the desired slots. (See Section 2.5 "Keypad Enrollment.")

Next, enter programming section [020] to assign the zones. There are eight programming locations in this section, one for each keypad slot. Enter a 2-digit zone number for each of the keypad zones. This number must be entered in the location corresponding to the keypad to which each zone is connected.

! *Keypad zones 1-6 will replace zone terminals Z1-Z6 on the control panel. Once the keypad zones are assigned, you must also program zone definitions and zone attributes. (See also Section 5.4 "Assigning Keypad Zones").*

Keypad Commands

S E C T I O N 3

The PC1555 alarm panel can be accessed, controlled and completely programmed via any keypad on the system. LED keypads (PC1555RKZ and PC5508Z) use function and zone indicator lights to represent alarm functions and status. The LCD keypad (LCD5500Z) provides a written description on the liquid crystal display and uses function indicator lights to communicate alarm status to the user.

On the PC1555RKZ keypad, the System light acts as a Trouble, Memory, Bypass and Programming indicator. On the PC5508Z and LCD5500Z keypads, these conditions are all indicated separately. Please see the PC1555 Instruction manual for a complete description of keypad indicators.

3.1 Arming and Disarming

The system cannot be armed unless the Ready light is ON. In order for the system to be in the Ready state, all protected doors and windows must be secured and all movement in areas covered by motion detectors must cease. When the Ready light is ON, enter any valid access code. As each digit is pressed, the keypad will beep. If the correct code is entered when the system is not in the Ready state, the panel will sound six quick beeps followed by a long two second beep.

If an incorrect code is entered, the keypad will emit a steady two second beep to indicate the invalid access code. When the correct code is entered and the system is Ready, the panel will emit six short beeps and the Armed light will turn ON. Exit the premises through the designated entry/exit door. For other methods of arming, please refer to Section 3.4 (“[*] [0] Quick Arm” and “[*] [9] Arming Without Entry Delay”) and Section 3.5 (“Function Keys”).

In an attempt to prevent false alarms, the **Audible Exit Fault** is designed to notify the user of an improper exit when they arm their system. If a non force-arming Delay 1 or Delay 2 type zone is left open at the end of the exit delay, the entry delay will begin immediately and the bell or siren will sound a steady alarm for the entry delay period. At the end of the entry delay period, if the system has not been disarmed it will go into alarm. This feature can be turned off in programming section [013], option [6]. (See section 5.17 “Arming / Disarming Options” for more information.)

When you enter the premises through a designated entry/exit door while the system is armed, the keypad will emit a steady beep to remind you to disarm the system. Enter a valid access code from any keypad to disarm the system. If an error is made, press the [#] key and enter the code again. When a correct code is entered, the Armed light will turn OFF and the keypad will stop beeping. During the last 10 seconds of entry delay, the panel will pulse the keypad beeper ON and OFF rapidly to warn you that the entry delay is about to expire.

If an alarm occurred while the panel was armed, on LED keypads, the Memory (or System) light and the zone indicator lights corresponding to the zones which caused the alarm will be flashing. Press the [#] key to return the keypad to the Ready state.

3.2 Auto Bypass – Stay Arming

Stay arming allows the user to arm the system without leaving the premises. All interior zones can be programmed to be bypassed during Stay arming so that the user does not have to bypass interior zones manually.

When the system is armed using a valid user code, if any zones on the system have been programmed as Stay/Away zones, the Bypass (or System) light will turn ON. The panel will then monitor all zones programmed as Delay 1 and Delay 2 zones, such as

designated entry/exit doors. If no delay type zone is violated by the end of the exit delay, the panel will bypass all Stay/Away type zones. The Bypass (or System) light will remain ON to inform the user that the interior protection has been automatically bypassed by the panel. If a delay zone is violated during the exit delay, the Stay/Away zones will be active after the exit delay expires.

The user can arm the Stay/Away zones at any time by entering the [*] [1] keypad command (see Section 3.4 “[*] [1] Zone Bypass”). Stay arming can also be initiated by pressing and holding the Stay function key for two seconds on the PC5508Z and LCD5500Z keypads, if programmed by the installer. For more information regarding Stay arming, please see Section 3.5 (“Function Keys”).

3.3 Automatic Arming

The system can be programmed to Auto-Arm at a specific time every day if it is in the disarmed condition.

In order for the Auto-Arm function to work properly, the correct **Time of Day** must be programmed. For programming the clock and Auto-Arm times, see Section 3.4 (“[*] [6] User Functions”).

When the system’s internal clock matches the **Auto-Arm Time**, the panel will check the system status. If the system is armed, the panel will do nothing until the next day at the **Auto-Arm Time**, when it will check the system again. If disarmed, the panel will sound the buzzer of all keypads for one minute. If the **Bell Squawk During Auto Arm** option is enabled (section [014], option [2]), the bell will squawk while the system is auto-arming. If a valid User Code is entered, Auto-Arming will be aborted.

If no code is entered, the panel will Auto-Arm. If a zone is violated, the panel will transmit a **Partial Closing Reporting Code** – if programmed – to indicate to the central station that the system is not secure. If the zone is restored, the panel will add the zone back into the system (see Section 5.8 “Communicator – Reporting Codes”).



Auto arming can only be cancelled by entering a valid access code.

3.4 [*] Commands

The [*] key commands provide an easy way for the user to access basic system programming – such as entering user codes or bypassing zones. The user can also use the [*] key commands to check on the system’s status, including viewing trouble conditions and displaying the event buffer on the LCD keypad.

The [*] key commands can be performed from both LCD and LED keypads. The LED keypad uses the zone indicator lights to display command information. The LCD display provides written information, guiding the user through each command. The commands in this section are explained as viewed from an LED keypad. When using an LCD keypad, use the arrow keys (< >) to scroll through information provided. Otherwise, the functions remain the same for both keypad types.

[*] [1] Bypassing and Activating Stay/Away Zones

The [*] [1] keypad command can be used to bypass individual zones. A bypassed zone will not cause an alarm. The user can bypass zones to gain access to an area while arming the rest of the system or to override a defective zone—due to a bad contact or damaged wiring—until service can be provided.

If the **Code Required for Bypass** option is enabled (section [015], option [5]), only user codes with the bypass attribute will be able to bypass zones (see Section 5.1 “Programming Security Codes”).

If the **Bypass Status Displayed While Armed** option is chosen,

the Bypass (or System) light will be ON while the system is armed to indicate any bypassed zones (see Section 5.17 "Arming / Disarming Options").

! Zones can only be bypassed when the system is disarmed.

To bypass a zone:

1. Enter [*] [1] (and an access code, if required).
2. The keypad will flash the Bypass (or System) light. The zone indicator lights corresponding to any zones already bypassed will turn ON.
3. Enter the 2-digit zone number for the zone you wish to bypass. The corresponding zone indicator light will turn ON.
4. Press [#] to exit the function. All zones whose indicator lights are ON when the [#] key is pressed will be bypassed. The Bypass (or System) light will turn ON, indicating that one or more zones are bypassed.

To Activate a bypassed zone:

1. Enter [*] [1] (and an access code if required).
2. The keypad will flash the Bypass (or System) light. The zone indicator lights corresponding to any zones already bypassed will turn ON.
3. Enter the 2-digit zone number for the bypassed zone you wish to reactivate. The corresponding zone indicator light will turn OFF.
4. Press [#] to exit the function. All zones whose indicator lights are ON when the [#] key is pressed will be bypassed. If no zone indicator lights were ON, the Bypass (or System) light will be OFF and no zones will be bypassed.

! When the system is disarmed, all manually-bypassed zones will be unbypassed.

Activate Stay/Away Zones

If the system is armed in the Stay mode, the [*] [1] command can be used to activate the Stay/Away zones.

[*] [2] Trouble Display

The panel constantly monitors itself for several different trouble conditions. If a trouble condition is present, the Trouble (or System) light will be ON and the keypad will beep twice every 10 seconds. The trouble beep can be silenced by pressing any key on any keypad. If **Bell Squawk on Trouble** is enabled (section [014], option[5]), the bell will squawk every 10 seconds when a trouble condition is present.

To view trouble conditions from an LED keypad:

1. Press [*] [2].
2. The keypad will flash the Trouble (or System) light. The zone indicator lights corresponding to the present trouble conditions will be ON.

When using an LCD keypad, the trouble conditions will be listed on the display; the user must simply use the arrow (< >) keys to scroll through the list of present trouble conditions.

! Troubles can be viewed while armed using the LCD keypad, provided it is version 2.0 or later. Older keypads will incorrectly display "Fire Trouble". If using older LCD keypads, programming section [013], option [3] as OFF will ensure troubles are displayed correctly.

The various troubles are described below:

Trouble [1] – Service Required

If zone indicator light [1] is ON, a "service required" trouble is present. Press [1] to determine the specific trouble. The following

is a list of "service required" trouble conditions:

- Light [1] – Low Battery: The main panel backup battery is low. The trouble will be generated if the battery drops below 11.5 volts under load and will be restored when the battery charges over 12.5 volts.
- Light [2] – Bell Circuit Trouble: The panel will indicate this trouble if the panel senses an open condition on the bell circuit (see Section 5.13 "Siren").
- Light [3] – General System Trouble: This trouble will be present if the printer connected to the PC5400 Printer module has a fault and is off-line.
- Light [4] – General System Tamper: This trouble will be indicated if any peripheral module tamper is detected.

! Entering and exiting Installer's Programming will not reset the system tampers. All tamper conditions must be physically restored.

- Light [5] – General System Supervisory: This trouble will be indicated if the panel loses communication with any module connected to the Keybus (see Section 2.6 "Supervision"). The event buffer will log a detailed description of the event.
- Lights [6-8] – For future use

Trouble [2] – AC Failure

This trouble indicates that AC power is no longer being supplied to the control unit. The trouble LED will flash if an AC Failure is present, if the **Trouble Light Flashes if AC Fails** option is programmed (section [016], option [2]). This trouble will not be displayed if the **AC Trouble Displayed** option is disabled (section [016], option [1]).

The reporting codes in sections [349] and [350] can be programmed to communicate a power failure to the monitoring station. To avoid reporting short power failures, an **AC Failure Communication Delay** from 000-255 minutes can be programmed in section [370].

Trouble [3] – Telephone Line Monitoring Trouble (TLM)

The telephone connection to the control unit is checked every 10 seconds. If TLM is enabled, the minimum number of checks is three. If the voltage drops below one to three volts for three checks, plus the number of consecutive checks programmed in section [370], a telephone line trouble is generated. If the system has a LINKS 1000, this trouble can be reported to a monitoring station by programming reporting codes in sections [349] and [350]. (See section 5.12 "Telephone Line Monitor".)

Trouble [4] – Failure to Communicate (FTC)

This trouble will be generated if the communicator fails to communicate with any of the programmed telephone numbers. If a later attempt is successful, the FTC reporting code(s) programmed in section [351] will be transmitted along with the unreported events from an earlier unsuccessful communication.

Trouble [5] – Zone Fault (including Fire Zone)

This trouble will be generated if any zone on the system is experiencing trouble, meaning that a zone could not provide an alarm to the panel if required to do so (if a fire zone is open, or there is a short on a DEOL zone, or a supervisory fault on a wireless zone). When a zone fault trouble condition occurs, the keypad(s) on the system will start to beep.

Press [5] while in Trouble mode to view the affected zones. If 2-wire smoke detectors are being used, a trouble on that zone will be indicated by the "Fire" LED.

! A Fire zone trouble will be generated and dis-

played in the armed state. A Fire zone trouble will also restart the trouble beeps from all keypads.

Trouble [6] – Zone Tamper

This trouble is only generated by zones configured for Double End Of Line resistor supervision when a tamper condition is present, or when the tamper switch is open on a wireless device. When a tamper condition occurs, the keypad(s) will start to beep. Press [6] while in the Trouble mode to view the affected zones. If a zone is tampered or faulted, it must be fully restored to clear the trouble.

Trouble [7] – Device Low Battery

This trouble is generated when a wireless device exhibits a low battery condition. Press [7] one, two, or three times to view which devices are experiencing battery failure. An LED keypad will indicate battery failure using zone lights 1 to 8.

The following then will occur:

	Keypad beeps:	Keypad displays:
Press [7]	1	Zones with low batteries (LED keypad - zone lights 1 to 8)
Press [7] again	2	Handheld keypads with low batteries (LED keypad - zone lights 1 to 4)
Press [7] again	3	Wireless keys with low batteries (LED keypad - zone lights 1 to 8) <i>To view the battery conditions of wireless keys 9 through 16, you must be at an LCD keypad.</i>

Trouble [8] – Loss of System Time

When the panel is powered up, the internal clock needs to be set to the correct time. This trouble is cleared when an attempt is made to reset the clock.

[★] [3] Alarm Memory

The Memory (or System) light will be on if any alarm occurred during the last armed period or – in the case of 24 hour zones – if an alarm occurred while the panel was disarmed.

To view alarm memory, press [★] [3]. The keypad will flash the Memory (or System) light and the zone indicator lights corresponding to the alarm or tamper conditions which occurred during or since the last armed period. To clear the Memory (or System) light, arm and disarm the system.

[★] [4] Door Chime On/Off

The door chime feature is used to sound a tone from the keypad whenever a zone programmed as a chime zone is activated (see Section 5.3 – “Zone Attributes”). If the door chime feature is enabled, the keypad will emit five short beeps whenever a chime zone is activated. Designated entry/exit doors are often defined as chime zones. When the feature is enabled, the keypads will sound when an entry/exit door is opened. The feature can be turned on or off while the system is armed.

To turn Door Chime ON or OFF:

1. Press [★] [4].
2. The keypad will emit three short beeps if the Door Chime feature is enabled and one long beep when disabled.

The function can also be performed by pressing and holding the Chime function key for two seconds on any keypad with function keys.

[★] [5] Programming Access Codes

There are 37 access codes available to the user. They are:

- Access code (40) One master code
- Access codes (01)-(32) ... 32 general access codes

Access codes (33)-(34) ... Two duress codes
Access codes (41)-(42) ... Two supervisor codes

All access codes have the ability to arm or disarm the system and can activate the PGM Outputs using the [★] [7] commands.

Master Code – Access Code (40)

By default, the Master Code is enabled to perform any keypad function. This code can be used to program all User Codes. If the **Master Code Not Changeable** option is enabled, the Master Code can only be changed by the Installer.

General Access Codes – Access Codes (01) to (32)

General access codes can arm and disarm the system. When the **Code Required for Bypassing** option is enabled, users will need to enter a valid access code when bypassing zones. Individual access codes can have the Zone Bypassing attribute disabled under Access Code Attribute programming.

For more information regarding access code options, please see Section 5.1 – “Programming Security Codes.”

Duress Code – Access Code (33) and (34)

Duress codes will send a duress reporting code to the central station when entered.

! A duress code, if programmed, will always send a reporting code to the central station, even if its attributes are turned off.

Supervisor Codes – Access Code (41) and (42)

The two supervisor codes have master code attributes by default. These settings can be changed.

How to Program Access Codes from an LED Keypad:

1. Enter [★] [5] [Master Code]. The keypad will flash the Program (or System) light.
2. Enter the 2-digit number corresponding to the code you wish to program.
3. Enter a 4-digit code.
4. Continue from step 2 until all codes are programmed. Once the process is complete, press the [#] key to return to the Ready state.

! Do not press [★] or [#] when programming the 4-digit code.

How to Program Access Codes from an LCD Keypad:

1. Enter [★] [5] [Master Code]. The display will read “(★) to Edit User Code 01P”. [01P] represents the first access code. “P” indicates that the access code is programmed. If the access code is not yet programmed, a “—” will be displayed instead of a “P”.
2. Use the scroll keys (< >) to find the access code you wish to add, change or delete (indicated by “XXP” if programmed, or “XX—” if not programmed, where XX = user number). Press the [★] key to select the code you wish to alter. The display will read “Enter New Code AAAA”.
3. To add or change a code, enter the new code. Access codes must be four digits. Enter digits 0 through 9 only. Once the 4 digit code has been entered, the keypad sounder will beep 3 times and the display will read “(★) to Edit User Code 01P”. The “P” means the code has been programmed.
4. Press [#] to exit the code programming function.

How to Erase an Access Code:

Enter [★] [5] [Master Code], select the code to be erased and press [★].

Access Code Attributes

There are two access code attributes which can be programmed

for each code. To program each attribute, enter [★] [5] [Master Code] [9] to enter the attribute programming mode. Then enter the code number [01-32,33,34,41,42]. Enter the attribute number:
 Attribute [1] ... User enabled for arming, disarming, alarm reset, [★] [7] [1-2] options, auto arm cancellation
 Attribute [2] ... For future use
 Attribute [3] ... Zone bypassing enabled
 Attribute [4] ... For future use

! Master code attributes cannot be changed.

[★] [6] User Functions

This keypad command can be used to program several different functions. The programmable items are listed and described below.

To program User Functions:

1. Press [★] [6] [Master Code]. The Program (or System) light will flash.
2. Press the number [1] to [6] for the item to be programmed.
 - [1] – Time and Date
 The time and date must be accurate for the Auto-Arm or Test Transmission functions to work properly and for the event buffer to time and date stamp all events.
 - Enter the time (hour and minute) using military format [HH MM] from 00:00 to 23:59.
 - Enter the date by month, day and year [MM DD YY].
 - [2] – Auto-Arm Enable/Disable
 Auto-Arming will not work unless it is enabled for the system. To enable or disable auto-arming, press [2]. The keypad will emit three short beeps if the Auto-Arm feature is enabled and one long beep when disabled. For more information, see Section 3.3 – “Auto-Arming”.
 - [3] – Auto-Arm Time
 The system can be programmed to Auto-Arm at a certain time. When programming the auto-arming time, enter the time (hour and minute) using military format [HH MM]. For more information, see Section 3.3 – “Auto-Arming”.
 - [4] – System Test
 When [4] is pressed the panel will test the bell output, keypad lights and the communicator for two seconds. The panel will also send a System Test Reporting code, if programmed (see Section 5.8 – “Communicator – Reporting Codes”).
 - [5] – Enable DLS (Downloading)
 When [5] is pressed, the panel will enable the downloading option for six hours. During this time, the panel will answer incoming downloading calls (see Section 5.10 “Downloading”).
 - [6] – User Initiated Call-Up
 When [6] is pressed, the panel will initiate a call to the downloading computer.

Additional Features Available from the LCD Keypad
 Additional features, including access to the event buffer, are available using the LCD keypad. Use the arrow keys (< >) to scroll through the [★] [6] menu and press the [★] key to select the following commands:

Viewing the Event Buffer from an LCD Keypad

Select “View Event Buffer” from the [★] [6] menu. The keypad will display the event, event number, time and date along with the zone number and user code, if applicable. Press [★] to toggle between this information and the event itself. Use the arrow keys

(<>) to scroll through the events in the buffer. When you have finished viewing the Event Buffer, press the [#] key to exit.

Brightness Control

The LCD keypad will allow you to select from 10 different backlighting levels. Use the arrow keys (< >) to scroll to the desired backlighting level and press the [#] key to exit.

Contrast Control

The LCD keypad will allow you to select from 10 different display contrast levels. Use the arrow keys (< >) to scroll to the desired contrast level and press the [#] key to exit.

Keypad Sounder Control

The LCD keypad will allow you to select from 21 different keypad tones. Use the arrow keys (< >) to scroll to the desired keypad sound level and press the [#] key to exit. This feature can be accessed on LED keypads by holding the [★] key.

[★] [7] Command Output Functions

There are two output functions available to the user. Each function can be performed when the system is either armed or disarmed.

[★] [7] [1-2] – Command Output Option #1-2:

Press [★] [7] [1-2] [Access Code, if required] to activate outputs programmed as PGM output option [19]-[20]. These outputs can be used for operating devices such a garage door opener, lighting or door strikes.

Special Note: [★] [7] [2] – Command Output Option #2:

Press [★] [7] [2] [Access Code, if required] to activate all outputs programmed as **one of** PGM output option [03], [04] or [20].

Traditionally, [★] [7] [2] has been reserved for resetting smoke detectors. Smoke detectors should now be programmed as output [03] “Sensor Reset.”, or [04] “2-wire smoke”. If using output options [03] or [04], *do not* program [20] Command Output Option #2.

Sensor reset can also be performed by pressing and holding the Reset function key for two seconds.

Please see Section 5.11 “PGM Output Options” for more information.

[★] [8] Installer’s Programming

Enter [★] [8] followed by the Installer’s Code to enter this function. Installer’s Programming is outlined in detail in Sections 4 and 5 of this manual.

[★] [9] Arming Without Entry Delay

When the system is armed with the [★] [9] command, the panel will cancel the entry delay. Once the exit delay has expired, Delay 1 and Delay 2 type zones will be instant and Stay/Away zones will be bypassed (see Section 5.2 – “Zone Programming”). A valid access code must be entered after pressing [★] [9].

[★] [0] Quick Arm

If the Quick Arm option is enabled, the panel can be armed without a user code by entering [★] [0] (See Section 5.17 “Arming / Disarming Options”).

! Quick Arm cannot be used to cancel auto arm.

[★] [0] Quick Exit

The Quick Exit function, if enabled, will allow someone to leave an armed premises through a Delay type zone without having to disarm and re-arm the system (See Section 5.17 “Arming / Disarming Options”).

When [★] [0] is entered, the panel will provide a two minute window for the user to exit the premises. **During this time, the panel will ignore only one activation of a Delay zone.** When the Delay zone is secured, the panel will end the two minute quick exit delay.

If a second Delay zone is tripped, or if the zone is not restored

after two minutes, the panel will begin the entry delay.

! *If the Exit Delay is in progress, performing a Quick Exit will not extend the Exit Delay.*

3.5 Function Keys

There are five function keys on each keypad labelled Stay, Away, Chime, Reset and Exit. Each of these keys is programmed by default to perform one of the functions described below. A function is activated by pressing and holding the appropriate key for two seconds.

! *On the PC1555RKZ keypad, use number keys 1 - 5 for the function keys.*

“Stay” – Stay Arm

Pressing this key will arm the system in the Stay mode, meaning that all Stay/Away type zones will be automatically bypassed. Delay type zones will provide entry and exit delay. Enable the Quick Arm feature (section [015], option [4]) to have this key function without the need to enter an access code.

“Away” – Away Arm

Pressing this key will arm the system in the Away mode. All Stay/Away type zones and all other non-bypassed zones will be active at the end of the exit delay. Delay type zones will provide entry and exit delay. Enable the Quick Arm feature (section [015], option [4]) to have this key function without the need to enter an access code.

“Chime” – Door Chime On / Off

Pressing this key will toggle the Door Chime feature ON or OFF. One solid beep means that the feature has been disabled and three short beeps means that it has been enabled (see Section 3.4 – “[*] [4] Door Chime”).

“Reset” – [*] [7] [2]

Pressing this key will cause the panel to activate all PGM outputs programmed as option [03] Sensor Reset or [20] Command Output Option #2. (See Section 3.4 – “[*] [7] Command Output Functions”).

“Exit” – Activate Quick Exit

Pressing this key will cause the panel to activate the Quick Exit feature (See Section 3.4 – “[*] [0] Quick Exit”).

Function Key Options

The following is a list of Function Key options available. Each option is listed according to their programming code, followed by their corresponding [*] key command. For more information regarding each function, please refer to the appropriate segment in Section 3.4 (“[*] Commands”).

[00] – Null Key

The key is not used and will perform no function when pressed.

[01]-[02]– For Future Use

[03] – Stay Arm

Same as described in Function Keys – Section 3.5.

[04] – Away Arm

Same as described in Function Keys – Section 3.5.

[05] – [*] [9] No-Entry Delay Arm

Once this function key is pressed the user must enter a valid user code. The system will arm and remove the entry delay from the system when the exit delay expires (see Section 3.4 – “[*] [9] Arming Without Entry Delay”).

[06] – [*] [4] Door Chime On / Off

Same as described in Function Keys – Section 3.5.

[07] – [*] [6] [----] [4] System Test

This function key provides the user with a simple method for testing the system.

[08] – [*] [1] Bypass Mode

This function key provides the user with a simple method for entering the Bypass Mode. If a user code is required, it must be entered before zone bypassing can be performed.

[09] – [*] [2] Trouble Display

This function key provides the user with a simple method for entering the Trouble Display Mode.

[10] – [*] [3] Alarm Memory

This function key provides the user with a simple method for entering the Alarm Memory Display Mode.

[11] – [*] [5] Programming Access Codes

This function key provides the user with a simple method for programming user codes. Once this key is pressed, a valid master code must be entered before the panel will allow programming to be performed.

[12] – [*] [6] User Functions

This function key provides the user with a simple method for programming user functions. Once this key is pressed, the master code must be entered before the panel will allow user functions to be performed.

[13] – [*] [7] [1] Command Output Option #1

This function key provides the user with a simple method for activating a PGM Output programmed as Command Output option #1 (see Section 5.11 – “PGM Output Options”). Once this key is pressed, a valid user code must be entered.

[14] – [*] [7] [2] Reset (Command Output Option #2)

Same as described in Function Keys – Section 3.5.

[15] – For Future Use

[16] – [*] [0] Quick Exit

Same as described in Function Keys – Section 3.5.

[17] – [*] [1] Reactivate Stay/Away Zones

This function key provides the user with a simple method for adding Stay/Away zones back into the system at nighttime (see Section 3.4 – “[*] [1] Bypassing and Reactivating Stay/Away Zones”).

[18] – [20] For Future Use

3.6 Features Available for the LCD5500Z

These features are only available for LCD5500Z keypads with zone inputs:

Automatic Scrolling of Alarms in Memory

The LCD5500Z keypad allows automatic scrolling through alarms in memory while the keypad is idle. This feature, if enabled, will override the clock display. This option can be programmed in LCD programming section [66], option [4].

24 Hour Time Display Option

The LCD5500Z can be programmed to display time using a 24-hour clock, instead of a 12-hour, am/pm clock. This option can be programmed in LCD programming section [66], option [3].

Keypad Zones

See section 2.12 “Keypad Zones” for a description of this feature.

Viewing Troubles While Armed

See section 3.4 “[*][2] Trouble Display” for information on how to view troubles.

Backlighting Boost

The LCD5500Z, PC5508Z and PC1555RKZ zone input keypads will provide extra number pad lighting when any key is pressed. The backlighting boost will last for an additional 30 seconds after the last keypress.

How to Program

S E C T I O N 4

The following section of the manual describes the Installer's Programming function and how to program the various sections.

! You must read the following section of the manual very carefully before you begin programming. We also recommend filling out the Programming Worksheets section before you program the panel.

.....
For your reference, the corresponding programming sections for the functions listed are highlighted in text boxes such as this one.
.....

4.1 Installer's Programming

Installer's Programming is used to program all communicator and panel options. The **Installer's Code** is [1555] by default but may be changed to prevent unauthorized access to programming.

.....
Installer's Code..... Section [006]
.....

From an LED Keypad:

1. Enter [★] [8] [Installer's Code].
 - The Program light (or System light on the PC1555RKZ) will flash to indicate that you are in programming mode.
 - The Armed light will turn ON to indicate that the panel is waiting for the three-digit programming section number.
2. Enter the three-digit section number corresponding to the section you wish to program.
 - The Armed light will turn OFF.
 - The Ready light will turn ON to indicate that the panel is waiting for the information required to complete programming the selected section.
3. Enter the information required to complete section programming (ie: numbers, HEX data, or ON/OFF options).

! If the 3-digit section number entered is invalid, or if the module which pertains to the section is not present, the keypad will sound a two second error tone.

From an LCD Keypad:

1. From any keypad, enter [★] [8] [Installer's Code]. The Keypad will display 'Enter Section' followed by three dashes.
2. Enter the three-digit number corresponding to the programming section number you wish to program. The keypad will now display the information required to complete programming the selected section.
3. Enter the information required to complete section programming (ie: numbers, HEX data, or ON/OFF options).

If you enter information into a section and make a mistake, press the [#] key to exit the section. Select that section again and re-enter the information correctly.

! There must be no blank spaces in the programming section in order for the change to be valid.

4.2 Programming Decimal Data

A set number of programming boxes are allotted for each section requiring decimal data (e.g.: codes, telephone numbers). If a digit is entered for each program box, the panel will automatically exit from the selected programming section. The Ready light will turn OFF and the Armed light will turn ON.

On the PC1555RKZ and PC5508Z keypads, you can also press the [#] key to exit a programming section without entering data for every box. This is handy if you only need to change digits in the first few programming boxes. All other digits in the programming section will remain unchanged.

4.3 Programming HEX Data

On occasion, hexadecimal (HEX) digits may be required. To program a HEX digit press the [★] key. The panel will enter HEX programming and Ready light will begin to flash.

The following are the numbers which should be pressed to enter the appropriate HEX digit:

1 = A 2 = B 3 = C 4 = D 5 = E 6 = F

Once the correct HEX digit has been entered, the Ready light will continue to flash. If another HEX digit is required, press the corresponding number. If a decimal digit is required, press the [★] key again. The Ready light will turn ON and the panel will return to regular decimal programming.

Example:

To enter 'C1' for a closing by user 1, you would enter:

[★] [3] [★], [1]:

- [★] to enter Hexadecimal mode (Ready light flashes)
- [3] to enter C
- [★] to return to decimal mode (Ready light is solid)
- [1] to enter digit 1

! If Ready light is flashing, any number you enter will be programmed as the HEX equivalent.

If you are using a pulse format, a decimal zero [0] does not transmit. Programming a zero [0] tells the panel not to send any pulses for that digit. Decimal zero [0] is a filler digit. To transmit a zero [0], it must be programmed as a Hexadecimal 'A'.

Example:

For the three digit account number '403', you would enter:

[4], [★] [1] [★] [3], [0]:

- [4] to enter the digit 4
- [★] to enter Hexadecimal mode (Ready light flashes)
- [1] to enter A; [★] to return to decimal mode (Ready light is solid)
- [3] to enter the digit 3
- [0] to enter the digit 0 as a filler digit.

4.4 Programming Toggle Option Sections

Some programming sections contain several toggle options. The panel will use zone lights 1 through 8 to indicate if the different options are enabled or disabled. Press the number corresponding to the option to turn it ON or OFF. Once all the toggle options have been selected correctly, press the [#] key to exit the section and save the changes. The Ready light will turn OFF and the Armed light will turn ON.

Refer to Section 5 in this manual to determine what each option represents and whether the light should be ON or OFF for your application.

4.5 Viewing Programming

LED Keypads

Any programming section can be viewed from an LED keypad. When a programming section is entered, the keypad will immediately display the first digit of information programmed in that section.

The keypad displays the information using a binary format, according to the following chart:

Value	Hex Data Entry*															
	0	1	2	3	4	5	6	7	8	9	A	B	C	D	E	F
Zone 1	<input type="checkbox"/>	<input checked="" type="checkbox"/>	<input type="checkbox"/>	<input checked="" type="checkbox"/>	<input type="checkbox"/>	<input checked="" type="checkbox"/>	<input type="checkbox"/>	<input checked="" type="checkbox"/>	<input type="checkbox"/>	<input checked="" type="checkbox"/>	<input type="checkbox"/>	<input checked="" type="checkbox"/>	<input type="checkbox"/>	<input checked="" type="checkbox"/>	<input type="checkbox"/>	<input checked="" type="checkbox"/>
Zone 2	<input type="checkbox"/>	<input type="checkbox"/>	<input checked="" type="checkbox"/>	<input checked="" type="checkbox"/>	<input type="checkbox"/>	<input type="checkbox"/>	<input checked="" type="checkbox"/>	<input checked="" type="checkbox"/>	<input type="checkbox"/>	<input type="checkbox"/>	<input checked="" type="checkbox"/>	<input checked="" type="checkbox"/>	<input type="checkbox"/>	<input type="checkbox"/>	<input checked="" type="checkbox"/>	<input checked="" type="checkbox"/>
Zone 3	<input type="checkbox"/>	<input type="checkbox"/>	<input type="checkbox"/>	<input type="checkbox"/>	<input checked="" type="checkbox"/>	<input checked="" type="checkbox"/>	<input checked="" type="checkbox"/>	<input checked="" type="checkbox"/>	<input type="checkbox"/>	<input type="checkbox"/>	<input type="checkbox"/>	<input type="checkbox"/>	<input checked="" type="checkbox"/>	<input checked="" type="checkbox"/>	<input checked="" type="checkbox"/>	<input checked="" type="checkbox"/>
Zone 4	<input type="checkbox"/>	<input type="checkbox"/>	<input type="checkbox"/>	<input type="checkbox"/>	<input type="checkbox"/>	<input type="checkbox"/>	<input type="checkbox"/>	<input checked="" type="checkbox"/>	<input checked="" type="checkbox"/>	<input checked="" type="checkbox"/>	<input checked="" type="checkbox"/>	<input checked="" type="checkbox"/>	<input checked="" type="checkbox"/>	<input checked="" type="checkbox"/>	<input checked="" type="checkbox"/>	<input checked="" type="checkbox"/>

Light On
 Light Off
 * See Hex Data Entry instructions

Press any of the Emergency Keys (Fire, Auxiliary or Panic) to advance to the next digit. When all the digits in a section have been viewed, the panel will exit the section; the Ready Light will turn OFF and the Armed light will turn ON, waiting for the next three-digit programming section number to be entered. Press the [#] key to exit the section

LCD Keypad

When a programming section is entered, the keypad will immediately display all the information programmed in that section. Use the arrow keys (< >) to scroll through the data being displayed. Scroll past the end of the data displayed or press the [#] key to exit the section.

Program Descriptions

S E C T I O N 5

The following section explains the operation of all programmable features and options and provides a summary of all corresponding programming locations.

5.1 Programming Security Codes

There are three codes which can be programmed by the installer in the Installer's Programming function: the Master code, the Installer's code, and a Maintenance code. All other access codes can be programmed through the [*][5] command (see Section 3.4).

The master code can also be programmed by the user as access code (40). If the **Master Code Not Changeable** option is enabled, the system master code can only be changed by the installer. General access codes can arm and disarm the system. When the **Code Required for Bypassing** option is enabled, users will need to enter a valid access code when bypassing zones. Individual access codes can have the Zone Bypassing attribute disabled under Access Code Attribute programming (see section 3.4 "[*][5] Programming Access Codes").

.....

Installer's Code	Section [006]
Master Code	Section [007]
Maintenance Code	Section [008]
Master Code Not Changeable	Section [015]: [6]
Code Required for Bypassing	Section [015]: [5]

.....

! *The Maintenance code cannot use [*][9] to arm the system, bypass zones, or perform [*][7] command outputs.*

5.2 Zone Programming

All eight zones are enabled by default. Unused zones should be disabled in programming section [202].

Section [001] will allow you to select how each of the zones you use will operate. Each zone requires a two-digit code to be programmed, which describes the zone definition. Select a definition from the list below. In addition, eight different attributes may be programmed for each zone in sections [101] to [108] (see Section 5.3 – "Zone Attributes").

Zone Definitions

[00] Null Zone

The zone is vacant. Unused zones should be programmed as Null zones.

[01] Delay 1 Zone

This zone type, normally used for entry/exit doors, can be violated during the exit delay time without causing an alarm. Once the exit delay has expired, opening the zone will start the entry delay timer. During the entry delay time, the keypad buzzer will sound steadily to advise the user that the system should be disarmed. If the panel is disarmed before the entry time expires, no alarm will be generated.

[02] Delay 2 Zone

The Delay 2 entry delay time can be set independently of Delay 1 in programming section [005] (System Times).

[03] Instant Zone

This zone type will cause an instant alarm if it is violated when the panel is armed. Typically, this zone is used for windows, patio doors or other perimeter zones, and glass break detectors.

[04] Interior Zone

This zone will not cause an alarm if violated during the entry delay. If the zone is violated before the entry delay has begun, it will cause an instant alarm. Typically, this zone is used for interior protection devices, such as motion detectors.

[05] Interior Stay/Away Zone

This zone type works similarly to the Interior zone type, except that it will be automatically bypassed under the following conditions:

- When the panel is armed in the Stay Mode (see Section 3.5 "Function Keys").
- When the panel is armed without entry delay (see Section 3.4 "[*] [9] Arming Without Entry Delay").
- When the panel is armed with an access code and a Delay type zone is NOT tripped during the exit delay.

The automatic bypass prevents the user from having to manually bypass interior type zones when arming at home. This zone is typically used for interior protection devices, such as motion detectors.

[06] Delay Stay/Away Zone

This zone type will operate similarly to Interior Stay/Away zones except that it will always provide an entry delay. Typically, this zone is used for interior protection devices, such as motion detectors. This zone option will help prevent false alarms since it always provides an entry delay time for the user to turn off the panel.

! *Hardwire motion detectors covering entry/exit doors that are using wireless transmitters must be programmed as Delay Stay/Away. If not, the panel may see the motion detector violation before the entry/exit transmitter has time to transmit to the receiver, causing a false alarm.*

[07] Delayed 24 Hour Fire Zone

When this zone is violated, the alarm output will be immediately activated (pre-alert) but the communicator will be delayed for 30 seconds. If the user presses any key on any keypad during this delay, the alarm output and the communicator will be delayed an additional 90 seconds, giving the user time to correct the problem. If the zone is still violated after the 90 second delay, the panel will sound the alarm output and delay the communicator for 30 seconds.

If the user does not press a key during the 30 second pre-alert, the alarm output will latch and the panel will communicate the alarm to the central station. The alarm will sound until the **Bell Cutoff** time expires (Section [005] "System Times"), or until a code is entered (see Section 5.13 "Siren").

! *If a second Fire type zone is violated or if the Fire keys are pressed during the delay period, the panel will latch the alarm output and will immediately communicate the alarm.*

A violated Fire zone will be displayed on all keypads and can be delayed at any keypad. Typically this zone is used for latching smoke detectors.

[08] Standard 24 Hour Fire Zone

When this zone is violated, the panel will immediately latch the alarm output and communicate to the central station. The alarm will sound until the **Bell Cutoff** time expires (Section [005]

“System Times”), or until a code is entered (see Section 5.13 “Siren”).

A violated Fire zone will be displayed on all keypads. Typically this zone is used for pull stations.

[09] 24 Hour Supervisory Zone

If this zone is violated when the system is either armed or disarmed, the panel will report to the central station, and will log the zone alarm to the Event Buffer.

[10] 24 Hour Supervisory Buzzer Zone

If this zone is violated when the system is either armed or disarmed, the panel will immediately latch the keypad buzzer until a valid user code is entered and will immediately communicate to the central station.

[11] 24 Hour Burglary Zone

If this zone is violated when the system is either armed or disarmed, the panel will immediately latch the alarm output and communicate to the central station. The alarm will sound until the Bell Cutoff time expires (Section [005] “System Times”) or until a valid user code is entered.

[12] - [20]

The following zone definitions operate similar to the 24 Hour Burglary except for the System Event output type and the SIA identifier:

[12] 24 Hour Holdup Zone

[13] 24 Hour Gas Zone

[14] 24 Hour Heat Zone

[15] 24 Hour Medical Zone

[16] 24 Hour Panic Zone

[17] 24 Hour Non-Medical Emergency Zone

[18] 24 Hour Sprinkler Zone

[19] 24 Hour Water Flow Zone

[20] 24 Hour Freezer Zone

[21] 24 Hour Latching Tamper

If this zone is violated, the installer must enter Installer’s Programming before the system can be armed.

! Wireless zones should not be programmed as zone types [22] - [24].

[22] Momentary Keyswitch Arm Zone

Momentary violation of this zone will alternately arm/disarm the system.

[23] Maintained Keyswitch Arm Zone

When this zone is violated, the system will arm. When this zone is secured, the system will disarm.

[24] LINKS Answer Zone

Downloading can be performed via the LINKS1000 Cellular Communicator (if used) when the conventional telephone line is disconnected. If this operation is desired, connect the RING terminal of the LINKS1000 to a LINKS Answer zone (see Section 2.11 “LINKS Zone Wiring”). Refer to the LINKS 1000 Installation Manual for more information.

[87] Delayed 24 Hour Fire (Wireless)

This zone type operates the same as [07] Delayed 24 Hour Fire Zone and must be used if the smoke detector is wireless.

[88] Standard 24 Hour Fire (Wireless)

This zone type operates the same as [08] Standard 24 Hour Fire Zone and must be used if the smoke detector is wireless.

.....
 Zone Definitions [001]
 Zone Assignments [202]

5.3 Zone Attributes

! All zones, with the exception of 24 Hour and Fire, will provide an exit delay.

! Attributes for Fire Zones should never be changed from the default settings.

Additional zone attributes can be programmed to customize the operation of a zone for a specific application. The following attributes are programmable for each zone:

- **Audible / Silent** – This attribute determines whether or not the zone will activate the alarm output.
- **Pulsed / Steady** – This attribute determines whether the alarm output will be steady or will pulse on and off every second.
- **Activate Chime** – This attribute determines whether or not the zone will activate the chime feature (see Section 3.4 – “[★] [4] Door Chime On/Off”).
- **Bypass Enable** – This attribute determines whether or not the zone can be manually bypassed (see Section 3.4 – “[★] [1] Bypassing and Reactivating Stay/Away Zones”).
- **Force Arm Enable** – This attribute determines whether or not the system can be armed while a zone is violated. At the end of the exit delay, if this type of zone is violated, it will be ignored by the panel. Once the zone is secured, it will be monitored by the system. This zone attribute, for example, will allow the user to arm the system with the garage door open. Later, when the door is closed, it will be armed along with the rest of the system. **Do not program this attribute for 24Hr zones.**
- **Swinger Shutdown Enable** – This attribute determines whether or not the panel will shut down the communicator for a zone once its swinger limit has been reached (see Section 5.19 “Swinger Shutdown”).
- **Transmission Delay Enable** – This attribute determines whether or not the panel will delay communicating the alarm reporting code for the programmed Transmission Delay Period (see Section 5.15 “Transmission Delay”).
- **Wireless Zone** – This attribute determines which zones are to have wireless devices. This allows the panel to generate a low battery trouble and zone supervisories for the wireless zones.

! Any zone with the wireless attribute enabled will not cause an alarm for a fault condition when armed (or any time for 24-hour zones).

.....
 Zones Attributes Sections [101] - [108]: [1] - [8]

5.4 Assigning Keypad Zones

Each keypad has a zone input to which a device—such as a door contact—can be connected. (See Section 2.12 “Keypad Zones” for wiring information.)

Once the keypad zones are installed, assign the zone in programming section [020] **Keypad Zone Assignments**.

Enter the 2 digit zone designated for each keypad (slot address) from 01-08.

! Only zones wired on the main panel can be used for LINKS Supervisory and LINKS Answer. Keypad zones cannot be used for Fire if the DEOL option is enabled.

Keypad Zone Assignments [020]

5.5 Communicator – Dialing

If the **Communicator Disable** option is selected, the panel will not attempt to call central station. If communication is enabled, the panel will attempt to call central station when an event with a valid Reporting Code occurs (See Section 5.8 “Communicator – Reporting Codes”).

The **Communicator Call Direction** options are used to select which phone number the panel will dial when an event occurs.

If the **DTMF Dialing** option is enabled, the panel will dial using DTMF (touch tone). If the **Switch to Pulse Dial** option is enabled, the panel will switch to pulse dialing on the fifth attempt to call the central station. When this option is disabled, the panel will always dial using DTMF. If **DTMF Dialing** is disabled, the panel will always pulse dial.

Maximum Dialing Attempts determines the maximum number of attempts the panel will make to send a signal to the central station before indicating a Failure to Communicate (FTC) trouble condition. The 3rd Phone Number can be used to back up the 1st in this situation. (see Section 5.7 “Communicator – Phone Numbers”).

Post Dial Wait for Handshake determines the amount of time the panel will wait for a valid handshake from the receiver. If the panel does not hear the handshake it will consider the call a failed attempt, hang up and try again.

DTMF or Pulse Dialing Section [380]: [3]
Switch to Pulse Dialing on Fifth Attempt ... Section [380]: [4]
Maximum Dialing Attempts Section [160]
Post Dial Wait for Handshake Section [161]
Communicator Enable/Disable Section [380]: [1]
Communicator Call Direction Options Section [361]-[368]

5.6 Communicator – Account Numbers

The account number is used by the central station to distinguish between panels. There are two account numbers programmable for the PC1555.

First Account Code (4 digits) Section [310]
Second Account Code (4 digits) Section [311]

5.7 Communicator – Phone Numbers

The panel can use three different phone numbers for communicating with the central station. The **First Phone Number** is the primary number, the **Second Phone Number** is the secondary number and the **Third Phone Number** will back up the First phone number if enabled.

! The Third Phone Number will NOT back up the Second Phone Number.

If the **Alternate Dial** option is enabled, the panel will alternate between the first and third phone numbers when attempting to call the central station. If the option is disabled, the panel will

only attempt to call the Third phone number after failing to communicate with the first phone number.

! If the Third Phone Number is to be used, it must be enabled in section [380], option [5].

Phone numbers can be up to 32 digits. This allows you to add special digits, if required. To program the phone number, enter the numbers 0 through 9 as required. The following is a list of programmable HEX digits and the functions they perform:

- HEX (B) - simulates the [*] key on a touch tone phone
- HEX (C) - simulates the [#] key on a touch tone phone
- HEX (D) - forces the panel to search for dial tone
- HEX (E) - forces the panel to pause for 2 seconds
- HEX (F) - marks the end of the phone number

First Telephone Number Section [301]
Second Telephone Number Section [302]
Third Telephone Number Section [303]
Third Telephone Number Enable Section [380]: [5]
Alternate Dial Section [380]: [6]

! The first digit of all phone numbers must be the HEX digit ‘D’ for dial tone search, or HEX digit ‘E’ for a two-second pause.

5.8 Communicator – Reporting Codes

The panel can be programmed to report events to the central station by sending the Reporting Code programmed for a particular event.

Reporting codes can be one or two digits and can use HEX digits (A through F). The following is a description of the different reporting codes that can be programmed and when the events will be reported to central station.

Reporting Codes Section [320] to [353]

! Do not use the digit C in a reporting code when using Pager Format. In most cases, the digit C will be interpreted as a [#], which will terminate the page before it has finished.

Zone Alarm

The panel will transmit the **Zone Alarm** Reporting Code when a zone goes into alarm. 24 hour type zones will go into alarm whether the panel is armed or disarmed and report to the central station. All other types of zones will only go into alarm if the panel is armed.

The **Cross Zone Police Code Alarm** will be sent when two different alarms occur during any armed-to-armed period. When an alarm occurs while the panel is armed and a second alarm occurs on a different zone during the same armed period, or after the system is disarmed, this code will be sent. All zone types contribute to this alarm.

The cross zone police code will be transmitted immediately unless either or both zones have the **Transmission Delay** attribute enabled. If so, the code will be delayed for the programmed transmission delay time.

Zone Alarm Reporting Codes Section [320]
Cross Zone Police Code Alarm Section [328]
Transmission Delay Section [370]

Zone Restoral

If the **Restoral on Bell Time-out** option is selected, the panel will send the **Zone Restoral** Reporting Code for the zone if the bell cut-off time has expired *and* the zone is secured. If the zone is not secured when the alarm output times out, the panel will send the restoral immediately once the zone is secured, or the system is disarmed.

If the **Restoral on Bell Time-out** option is not selected, the panel will immediately send the **Zone Restoral** Reporting Code when the zone is secured, regardless of whether or not the alarm output is active.

! *24 Hour type zones will report the restoral immediately once the zone is secured.*

.....

Zone Restoral Reporting Codes Section [324]

Restoral on Bell Time-out Section [380]: [2]

.....

Closings (Arming Codes)

The panel will transmit a **Closing** Reporting Code to indicate that the system is armed. A different reporting code can be transmitted for each general access code and master/supervisory code to identify who has armed the system.

A **Special Closing** reporting code will be transmitted if the system is armed using any of the following methods:

- Quick Arming
- Arming via keyswitch
- Auto Arm
- Arming using the Away function key
- Arming with the Maintenance Code
- Arming using the Stay function key
- Arming via the DLS Software

If programmed, a **Partial Closing** Reporting Code will be sent along with the closing reporting code if one or more zones were manually bypassed when the system was armed to warn the monitoring station of a security compromise.

A **Closing by Duress** reporting code will be sent along with a duress reporting code if the system is armed using a duress code. The duress transmission is sent as soon as the code is entered.

If the **Closing Confirmation** option is enabled, once the exit delay expires, the keypad will sound a series of eight beeps to confirm to the user that the closing code was sent and received by the central station.

.....

Closing (Arming) Reporting Codes Section [339]-[342]

Special Closing Reporting Code Section [343]

Partial Closing Reporting Code Section [343]

Closing by Duress Reporting Codes Section [343]

Closing by Master/Supervisor Codes Section [343]

Closing Confirmation Section [381]: [4]

.....

Openings (Disarming Codes)

The panel will transmit an **Opening** Reporting Code to indicate that the system has been disarmed. A different reporting code can be transmitted for each general access code and the master/supervisory code to identify who has disarmed the system.

A **Special Opening** reporting code will be transmitted if the system is disarmed using any of the following methods:

- Disarming using the maintenance code
- Disarming via the DLS software
- Disarming via keyswitch

If an alarm occurred while the system was armed, an **Opening After Alarm** reporting code will be sent along with an opening reporting code when the user disarms the system.

An **Opening by Duress** reporting code will be transmitted in addition to the duress reporting code if the system is disarmed using a Duress code.

.....

Opening (Disarming) Reporting Codes . Section [344]-[347]

Special Opening Reporting Code Section [348]

Opening by Duress Reporting Codes Section [348]

Opening by Master/Supervisor Codes Section [348]

Opening After Alarm Section [328]

.....

Tampers

If the panel is programmed for Double EOL zones (see Section 2.8 – “Zone Wiring”), the panel will report a **Zone Tamper Alarm** reporting code if an open condition is present. A different reporting code can be programmed to identify each zone. The **Zone Tamper Restoral** reporting code will be transmitted immediately when the tamper condition is restored.

A **General System Tamper** Reporting Code will be transmitted when the tamper zone on any module is violated. The **General System Tamper Restoral** Reporting Code will be transmitted when the tamper zone on all modules are restored.

By enabling **Tampers/Faults Do Not Show as Open**, Faults and Tampers will not show as open on the keypad, and will be hidden from the end user. If the option is disabled, Faults and Tampers will show as open.

! *Entering and exiting Installer’s Programming will not reset the system tampers. All tamper conditions must be physically restored.*

.....

Tamper Reporting Codes Section [330]

Tamper Restoral Reporting Codes Section [334]

General System Tamper and Restoral Section [338]

Tampers/Faults Do Not Show Open Section [013]: 4

.....

Priority/Emergency

The panel will transmit a **Keypad Fire Alarm** Reporting Code *and* the **Keypad Fire Restoral** Reporting Code when the Fire Keys on any keypad are pressed for two seconds.

The panel will transmit a **Keypad Auxiliary Alarm** Reporting Code *and* the **Keypad Auxiliary Restoral** Reporting Code when the Auxiliary Keys on any keypad are pressed for two seconds.

The panel will transmit a **Keypad Panic Alarm** Reporting Code *and* the **Keypad Panic Restoral** Reporting Code when the Panic Keys on any keypad are pressed for two seconds.

The panel will transmit a **Duress** Reporting Code any time the Duress code is entered at any keypad.

If PGM2 is being used for 2-wire smoke detectors or 24 hour operation, the panel will send a **PGM2 Alarm** reporting code if the zone goes into alarm. The panel will transmit the **PGM2 Restoral** reporting code when the zone is restored (see Section 5.11 “PGM Output Options”).

.....

Priority Alarm and Restoral Reporting Codes .. Section [329]

Duress Alarm Section [328]

.....

Maintenance

The panel will transmit a **Battery Trouble Alarm** reporting code when the backup battery charge drops below 11.5 Vdc. The **Battery Trouble Restoral** reporting code will not be transmitted until the battery has been charged to over 12.5 Vdc.

To prevent the panel from transmitting an **AC Failure Trouble Alarm** reporting code during short power outages, the panel will not send the signal unless AC power is lost for the amount of minutes programmed for the **AC Failure Communication Delay**. The **AC Failure Trouble Restoral** reporting code follows the AC failure communication delay as well.

! *If AC Failure Communications Delay is programmed as "000," the AC failure transmission will be immediate.*

A **Bell Circuit Trouble Alarm** reporting code will be transmitted immediately when an open condition is measured for the Bell Output of the main panel. The **Bell Circuit Trouble Restoral** reporting code will be transmitted as soon as the problem is corrected.

A **Fire Trouble Alarm** reporting code will be immediately transmitted when an open condition is measured on any Fire type zone (see Section 5.2 – "Zone Programming"). The **Fire Trouble Restoral** reporting code will be transmitted as soon as the problem is corrected.

The **Auxiliary Power Supply Trouble Alarm** reporting code will be transmitted if the AUX output is shorted out. The AUX output of the control incorporates a fuseless design. When excessive current is drawn, the panel will automatically shut off the output. The panel will constantly check the AUX output; when the excessive current draw is removed, the panel will reset the output and transmit an **Auxiliary Power Supply Trouble Restoral** reporting code.

A **TLM Trouble** reporting code can only be transmitted if a LINKS 1000 Cellular Communicator is being used (see Section 5.26 "LINKS 1000 Cellular Communicator"). The panel will only transmit the signal after the time programmed for the TLM Trouble Delay. The **TLM Restoral** reporting code also follows the TLM delay time programmed in section [370] (see Section 5.12 "TLM").

A **General System Supervisory Trouble** reporting code will be transmitted if any module goes missing from the Keybus. The panel will send a **General System Supervisory Restoral** reporting code when the problem is corrected.

.....
 Maintenance Alarm Reporting Codes Section [349]
 Maintenance Restoral Reporting Codes Section [350]
 AC Failure Communication Delay Section [370]

Test Transmissions

The panel can be programmed to transmit a **Periodic Test Transmission** reporting code (see Section 5.14 – "Test Transmissions"), a **System Test** reporting code (see Section 3.4 – "[*] [6] User Functions") or a **LINKS 1000 Test Transmission** reporting code (see Section 5.26 – "LINKS 1000 Cellular Communicator").

.....
 Test Transmission Reporting Codes Section [352]

Wireless Maintenance

The panel will transmit a **General Zone Low Battery Alarm** reporting code if a low battery condition is indicated by a

detector. The transmission of the trouble will be delayed by the number of days programmed for **Zone Low Battery Transmission Delay**. The **General Zone Low Battery Restoral** reporting code will be transmitted when the problem is corrected. The specific zone that caused the trouble will be recorded in the event buffer.

! *The restoral will not be transmitted until all detectors indicate good battery conditions.*

.....
 Wireless Maintenance Reporting Codes Section [353]
 Zone Low Battery Transmission Delay Section [370]

Miscellaneous

If the panel fails to transmit information to the central station, it will display a Failure To Communicate (FTC) trouble condition. The panel will transmit a **Phone Number 1 Failure to Communicate** reporting code or a **Phone Number 2 Failure to Communicate** reporting code the next time it calls the central station. The panel will transmit the old events, followed by the FTC code, followed by the new events. This will allow central station to determine which events are old or new.

The **DLS Lead In** reporting code will only be transmitted if the DLS Callback feature is being used (see Section 5.11 "Downloading"). Before the panel redials the computer, it will call central station and transmit this reporting code to indicate that downloading is to begin. A **DLS Lead Out** reporting code will be sent to indicate the end of a downloading session.

If the Event Buffer is uploaded or printed on-site on a regular basis, an **Event Buffer 75% Full** reporting code can be transmitted to warn that the buffer is almost full. This code is good for use with the PC5400 printer module.

The **Delinquency** reporting code is sent whenever the panel is not armed within the number of days programmed for the **Delinquency Transmission Delay**.

.....
 Miscellaneous Maintenance Reporting Codes Section [351]

! *If the Delinquency Transmission Delay is set for one day, there must be 24 hours of no arming or disarming before the Delinquency Code will be sent.*

After a Delinquency Code has been transmitted, it will not send again until the system has been armed and disarmed.

Activity Delinquency

This feature will assist in the monitoring of elderly and disabled people. When **Delinquency Follows Zone Activity** is enabled, if there is no activity on zones in the system, the Delinquency Transmission Cycle Timer in Section [370] will begin counting in **hours**. When the counter reaches the programmed time, the panel will communicate the **Delinquency** reporting code to the central station, if programmed. If there is a closing or zone activity present on the system at any time, the counter will be reset. If this option is used, the **Delinquency Follows Arming** option is not available.

! *Activity Delinquency will not be reported while the panel is armed in Away mode. Activity on bypassed zones will not reset the timer. This timer is reset when the panel is armed, or if*

**Installer Programming is entered.
When using the SIA FSK communication format
with Activity Delinquency, the Closing Delinquency identifier is transmitted.**

.....
 Delinquency Follows Zone Activity [380]: [8]
 Delinquency Transmission Cycle [370]

5.9 Communicator – Reporting Formats

Each communication phone number can be programmed to report using any one of five formats available. Two 20 BPS pulse formats are supported, in addition to Contact ID, SIA and a Pager format.

.....
 Communicator Format Options Section [360]
 Communicator Call Directions Section [361] to [368]

The following is a description of each reporting format:

Pulse Formats

Depending on which pulse format is selected, the panel will communicate using the following specifications:

- 3/1, 3/2, 4/1 or 4/2
- 1400 or 2300 Hz handshake
- 20 bits per second
- non-extended

Additional Notes on Pulse Formats

1. The digit '0' will send no pulses and is used as a filler digit.
2. When programming account numbers, enter four digits. When programming a three digit account number, the fourth digit must be programmed as '0'.
 - 3 digit account number [123] - program [1230]
3. If an account number has a '0' in it, substitute a HEX digit 'A' for the '0'. For example:
 - 3 digit account number [502] - program [5A20]
 - 4 digit account number [4079] - program [4A79]
4. Reporting codes are two digits. When programming single-digit Reporting Codes, the second digit must be programmed as a '0'. If a '0' is to be transmitted, substitute HEX digit 'A'. For example:
 - 1 digit Reporting Code [3] - program [30]
 - 2 digit Reporting Code [30] - program [3A]
5. To prevent the panel from reporting an event, the Reporting Code should be programmed as [00] or [FF].

Contact ID

Contact ID is a specialized format that will communicate information using tones rather than pulses. This format allows more information to be sent faster than other formats. For example, in addition to reporting an alarm in zone one, the Contact ID format will also report the type of alarm, such as an Entry/Exit alarm.

To program Contact ID, a two digit number from Appendix A must be entered in order for every event to be transmitted. The two digit number determines the type of alarm. The panel will automatically generate all other information, including the zone number.

Additional Notes on Contact ID

1. Account numbers must be four digits.
2. All reporting codes must be two digits.

3. Substitute the HEX digit 'A' for the '0'.
4. To prevent the panel from reporting an event, the reporting code should be programmed as [00] or [FF].

Please refer to Appendix A for a list of Contact ID Identifiers.

SIA

SIA is a specialized format that will communicate information quickly using Frequency Shift Keying (FSK) rather than pulses. The SIA format will automatically generate the type of signal being transmitted, such as Burglary, Fire, Panic etc. The two digit reporting code is used to identify the zone or user code number.



If the SIA format is selected, the panel can be programmed to automatically generate all zone and user code numbers, thus eliminating the need to program these items.

If the **SIA Sends Automatic Reporting Codes** option is enabled, the panel will operate as follows:

1. If an event's reporting code is programmed as [00], the panel will not attempt to call the central station.
2. If the reporting code for an event is programmed as anything from [01] to [FF], the panel will *automatically* generate the zone or user code number.

The Communicator Call Direction options can be used to disable the reporting of events such as Openings and Closings. If all of the Opening and Closing Reporting Codes are programmed as [00], the panel will not report.

If the **SIA Sends Automatic Reporting Codes** option is disabled, the panel will operate as follows:

1. If an event's reporting code is programmed as [00] or [FF], the panel will not attempt to call central station.
2. If the reporting code for an event is programmed as anything from [01] to [FE], the panel will send the programmed reporting code.

Please refer to Appendix B for a list of SIA identifiers.

.....
 SIA Sends Automatic Reporting Codes Section [381]: [3]

Pager Format

The **Communicator Format** option for either phone number can be programmed as Pager format. If an event occurs and the **Communicator Call Direction** options direct the call to a phone number with the Pager Format selected, the panel will attempt to page.

When calling a pager, extra digits will be required in order for the format to function properly. The following is a list of Hex digits and the functions they perform:

- Hex [B] - simulates the [*] key on a touch tone phone
- Hex [C] - simulates the [#] key on a touch tone phone
- Hex [D] - forces the panel to search for dial tone
- Hex [E] - two second pause
- Hex [F] - marks the end of the phone number

The panel will attempt to call the pager once. Once the appropriate phone number is dialed, the panel will send the account number and Reporting Code followed by the [#] key (Hex [C]).

The panel has no way of confirming if the pager was called successfully. A Failure To Communicate trouble will only be generated if no dial tone is detected on all dialing attempts. The pager format will not cause any form of ringback.

! *The Pager Format cannot be used with the LINKS 1000 cellular communicator.*

! *Do not use the digit C in a reporting code when using Pager Format. In most cases, the digit C will be interpreted as a [#], which will terminate the page before it has finished.*

! *When using Pager format, you must program two hex digit E's at the end of the phone number.*

LINK, refer to your "PC-LINK Download Kit Instruction Sheet". Downloading can also be performed through the LINKS 1000 cellular communicator, if the phone line is disconnected. If using the LINKS1000 with Call Back, you will need to program the **LINKS 1000 Preamble** with the downloading phone number in order for the panel to call the computer correctly.

! *When a zone status upload is performed through PC-Link, the information uploaded may not be accurate. For more information refer to the Downloading Manual included with the computer software.*

! *When downloading labels for LCD keypads, only the LCD keypad assigned to slot 8 will receive the labels.*

5.10 Downloading

The required downloading software is DLS-1 version 6.3 and up.

Downloading allows you to program the entire control panel via a computer, a modem and a telephone line. All functions, features, their changes and status – such as trouble conditions and open zones – can be viewed or programmed through downloading.

! *Downloading is always enabled for six hours each time the panel is powered up, unless the User Can Enable DLS Window option is disabled*

The panel will answer calls for downloading when the programmed **Number of Rings** is heard by the panel.

If the **Answering Machine Override** option is enabled (or during the first six hours after power up), the panel will answer incoming calls for downloading in the following manner:

1. The panel hears one or two rings then misses a ring.
2. At this point the panel will start the double call timer.
3. If the panel hears another ring before the **Answering Machine Double-Call Timer** expires, it will answer on the first ring of the second call.

The panel will immediately go on line and begin downloading. If the **Call-Back** option is enabled, the panel and the computer will both hang up. The panel will then call the **Downloading Computer's Telephone Number** and wait for the computer to answer. Once the computer answers, downloading will begin.

If the **User Enabled DLS Window** option is ON, the user can activate the downloading feature for six hours by entering [*] [6] [Master Code] [5]. After six hours, the panel will not answer incoming calls unless the **Answering Machine/Double Call** option is enabled, or the **Number of Rings** is programmed to be more than [0].

If the **User Initiated Call-Up** option is enabled, the user can have the panel initiate a call to the downloading computer by pressing [*][6][Master Code][6].

The **Download Access Code** and **Panel Identifier Code** are for security and proper identification. Both the panel and the computer file should contain the same information programmed before attempting to download.

The time to complete a successful download can be significantly reduced with the use of the PC-LINK. This adaptor makes it possible to perform on-site downloading. To **Initiate Local Downloading via the PC-LINK**, enter [*] [8] [Installer's Code] [499] [Installer's Code] [499]. All keypads will be busy for the duration of the PC-LINK connection. The status LEDs will display the current system status on the keypad where the PC-LINK was initiated. For more information on connecting the PC-

.....

- Answering Machine/Double Call Section [401]: [1]
- User Enable DLS Window Section [401]: [2]
- Call-Back Section [401]: [3]
- User-initiated Call-up enabled/disabled ... Section [401]: [4]
- Downloading Computer's Telephone Number . Section [402]
- Downloading Access Code Section [403]
- Panel Identification Code Section [404]
- Answering Machine Double Call Timer Section [405]
- Number of Rings to Answer On Section [406]
- LINKS 1000 Preamble (Downloading) Section [490]
- Initiate Local Downloading (PC-LINK) Section [499]

.....

5.11 PGM Output Options

Programmable outputs PGM1 and PGM2 on the main board can be programmed by selecting one of the output options listed below (exceptions noted).

.....

- Main Board PGM Outputs Section [009]

.....

! *PGM outputs cannot be disabled in Installer's programming. To disable a PGM output, you must remove all wiring from the output.*

[01] Burglary and Fire Bell Output

The output will activate when the alarm output is active and deactivate when the alarm output is silenced. If the alarm output is pulsing, the PGM output will pulse as well. This output will follow the activation of the alarm output (pre-alert) for delayed fire zones.

[02] For future use

[03] Sensor Reset ([*] [7] [2])

! *This output will normally be active (switched to ground).*

This option is used to reset power for latching smoke detectors. The output will deactivate for five seconds when the [*] [7] [2] command is entered (see Section 3.4 "[*] [7] [2] Output Functions"). The keypad buzzer will not sound for the five second period. Please refer to the Control Panel Wiring Diagram in this manual for wiring instructions.

! *Only ONE of options [03] Sensor Reset, [04] 2-wire Smoke and [20] [*] [7] [2] Command Output Option #2 may be programmed on the same system.*

[04] 2-wire Smoke Detector

When this option is selected, the PGM functions much like option [03] in that it is a normally low output supplying the negative return. However, 2-wire smoke detectors can be supported, meaning that a zone input need not be used. The 2-wire smoke detector input is an instant and latching alarm. This input does not follow Swinger Shutdown.

! *The 2-wire smoke option requires that connector JP1 be removed from the PC1555 control board.*

! *2-Wire smoke detectors use PGM2 as a supervised input with a 2200Ω end-of-line resistor. A trouble condition will be generated if an open condition is detected between PGM2 and Aux+ .*

[05] Armed Status

When the system is armed, the PGM output will switch to ground at the beginning of the exit delay. The output goes high (open) when the panel is disarmed.

[06] Ready To Arm

The PGM switches to ground as long as the system is ready to arm and all non-force armable zones on the system are restored. Once an access code is entered to arm the system and the exit delay begins, the PGM output is deactivated.

[07] Keypad Buzzer Follower Mode

The PGM will activate when any of the following events occur and will remain active for as long as the keypad buzzer is active:

- Door Chime
- Auto-Arm Prealert
- 24 Hour Supervisory Buzzer Zone
- Entry Delay
- Audible Exit Delay

[08] Courtesy Pulse

Upon arming, the PGM output will activate for the duration of the exit delay plus an additional two minutes. Upon entry, the PGM output will activate for the duration of the entry delay plus an additional two minutes. This output will also activate for two minutes when disarming via a wireless key or keyswitch.

[09] System Trouble Output

The PGM output will activate when any of the selected trouble conditions are present. It will deactivate when all the selected trouble conditions are cleared.

The PGM attributes for this option, programmed in Sections [141] to [142], differ from the standard selection of attributes. Program which trouble conditions will activate the output by selecting some or all of the following attributes:

Attribute

- [1] **Service Required** (battery, bell, general trouble, general tamper, general supervisory)
- [2] **AC Failure**
- [3] **Telephone Line Trouble**
- [4] **Failure to Communicate**
- [5] **Fire Trouble / Zone Fault**
- [6] **Zone Tamper**
- [7] **Zone Low Battery**
- [8] **Loss of Clock**

[10] Latched System Event (Strobe Output)

The output will switch to ground when any of the selected system events (alarms) occur on the system. In the armed state, the output will deactivate only once the system is disarmed.

If an alarm activates this output in the disarmed state, the output will deactivate if a user enters a valid access code while the Bell Cut-off timer is counting down. The output will also deactivate if someone arms the system after the Bell Cut-off has expired.

This output can be used to indicate that an alarm has occurred before entering the premises.

The PGM attributes for this option, programmed in Sections [141] to [142], differ from the standard selection of attributes. Program which events will activate the output by selecting some or all of the following attributes:

Attribute

- [1] **Burglary** (Delay, Instant, Interior, Stay/Away and 24 Hour Burglary Zones)
- [2] **Fire** (Fire Keys, Fire Zones)
- [3] **Panic** (Panic Keys and Panic Zones)
- [4] **Medical** (Auxiliary Keys, Medical and Emergency Zones)
- [5] **Supervisory** (Supervisory, Freezer and Water Zones)
- [6] **Priority** (Gas, Heat, Sprinkler and 24 Hour Latching Zones)
- [7] **Holdup** (Holdup zones)

! *This output will activate for silent and audible alarms or medical conditions only. It will not activate during pre-alert or delays.*

[11] System Tamper (All Sources)

The PGM output will activate when any tamper condition is present and will deactivate when all tampers are restored.

[12] TLM and Alarm

The PGM output switches to ground when the system experiences both a telephone line trouble and an alarm. When the system is armed, the output will deactivate only if an access code is entered.

If an alarm activates this output in the disarmed state, the output will deactivate if a user enters a valid access code while the Bell Cut-off timer is counting down. The output will also deactivate if someone arms the system after the Bell Cut-off has expired.

! *This output will activate for all silent and audible alarms except the Duress alarm and 24-hr PGM inputs.*

[13] Kissoff Output

The output will activate for two seconds after the control panel receives the kissoff transmission from the central station.

[14] Ground Start Pulse

The PGM Output will activate for two seconds to obtain a dial tone on Ground Start telephone equipment before the panel attempts to dial. Two 2-second pauses should be inserted at the beginning of the phone number when using this option.

[15] Remote Operation (DLS-1 Support)

This output can be activated and deactivated remotely using the DLS software.

[16] LINKS 1000 Support (PGM1 Only)

The PGM output will be used as a data wire to communicate phone number information for the LINKS 1000 cellular unit.

[17] Away Armed Status

When the system is armed in the Away mode, the PGM output will switch to ground at the beginning of the exit delay. The output goes high (open) when the panel is disarmed.

[18] Stay Armed Status

When the system is armed in the Stay mode, the PGM output will

switch to ground at the beginning of the exit delay. The output goes high (open) when the panel is disarmed.

[19] [★] [7] [1] Command Output Option #1

[20] [★] [7] [2] Command Output Option #2

These outputs are user-initiated by entering [★] [7] [1-2] at any keypad. When any output is activated, three acknowledgment beeps are heard.

NOTES on Option [20] [★] [7] [2]:

Press [★] [7] [2] [Access Code, if required] to activate any output programmed as **one of** PGM output option [03], [04] or [20].

Traditionally, [★] [7] [2] has been reserved for resetting smoke detectors. Smoke detectors should now be programmed as output [03] "Sensor Reset", or [04] "2-wire smoke".

! Only ONE of options [03] Sensor Reset, [04] 2-wire Smoke and [20] [★] [7] [2] Command Output Option #2 may be programmed on the same system.

[21] For future use

[22] For future use

! Options [23] & [24] require that connector JP1 be removed from the PC1555 control board.

[23] Silent 24 Hour (PGM2 Only)

A Panic button may be placed on the PGM2 terminal for use as a silent 24 hour Panic. The keypad will not indicate the alarm in any way and the Bell will remain silent but the PGM2 Alarm reporting code will be sent to the central station. PGM output option [23] will not activate other programmable outputs of any kind. This input does not follow Swinger Shutdown.

[24] Audible 24 Hour (PGM2 Only)

A Panic button may be placed on the PGM2 Terminal for use as an Audible 24 Hour Panic. When the button is pressed, LCD keypads will indicate "System in Alarm", the bell will sound until the Bell Cut-off expires, and the PGM2 Alarm reporting code will be sent to the central station. PGM output option [24] will not activate other programmable outputs except for outputs programmed as [01]. This input does not follow Swinger Shutdown.

PGM Output Attributes

In addition to programming the output type, you must also program the PGM output attributes for each output.

PGM output options [09] "System Trouble" and [10] "Latched System Event" have their own unique set of attributes listed below the description of each output type.

PGM output options [01], [03], [05]-[08], [11]-[24] have the following attributes:

Attribute	ON	OFF
[1]	Output Enabled	Disabled
[3]	True Output	Inverted Output
	Attribute ON: the output will switch to ground.	Attribute OFF: the output will switch to an open collector when activated
[4]	5 Second Pulse	Output ON/OFF
	Attribute ON: the output will activate once for five seconds when initiated by the user	

Attribute OFF: the output will turn ON and OFF when initiated by the user.
(only applicable to options [19]-[20])

[5] Access Code Req. No code Req.

Attribute ON: the output requires a code for activation.

Attribute OFF: no code required.

(only applicable to keypad-activated outputs)

PGM attributes return to their default settings when you change PGM output options. Please see the programming worksheets for a list of the default settings for each PGM output type.

Care should be taken in selecting the normal and active states of each PGM output to ensure that an undesirable output state does not occur after a loss and restore of AC power.

! Attribute [3] must be ON (default) for PGM output options [04], [16], [23] and [24].

! Two PGM outputs programmed as the same output type must have the same options enabled.

..... PGM Output Attributes Section [141]-[142]

5.12 Telephone Line Monitor (TLM)

If the **TLM Enabled** option is selected, the panel will supervise the presence of the telephone line and will indicate a trouble condition if the telephone line is disconnected. The panel will wait for the **TLM Trouble Delay** time period before indicating the trouble so that a momentary interruption of the telephone line will not cause a trouble condition.

If the **TLM Trouble Beeps When Armed** option is enabled, the panel will indicate a TLM trouble at the keypad while the system is armed. To activate the bell output in the case of a TLM trouble while the system is armed, the **TLM Audible (Bell) When Armed** option must be selected.

When the trouble condition is restored, the panel can send a **TLM Restoral** reporting code. Any events which occur while the phone line is down will also be communicated.

If the LINKS 1000 Cellular Communicator is being used, the panel can be programmed to report a **TLM Trouble Reporting Code**.

..... TLM Enable/Disable Section [015]: [7]
 TLM Trouble Beeps When Armed or
 TLM Audible (Bell) When Armed Section [015]: [8]
 TLM Trouble Reporting Code Section [349]
 TLM Restoral Reporting Code Section [350]
 TLM Trouble Delay Section [370]

5.13 Siren

The siren will silence after the number of minutes programmed for the **Bell Cut-off** time have passed.

The panel supervises the Bell output. If an open condition is detected, the panel will immediately indicate a trouble condition by beeping the keypad twice every 10 seconds to alert the owner of the problem. The panel can send a **Bell Circuit Trouble** and **Trouble Restoral** reporting codes to indicate the situation (see Section 5.8 "Communicator – Reporting Codes").

If the **Temporal Three Fire Signal** option is enabled, all Fire signals will follow the Temporal Three Pattern as described in NFPA 72. If turned OFF all Fire signals will sound a one second

on, one second off cadence.

If **Fire Bell Continuous** is enabled, the alarm output will sound until a code is entered. If disabled, the alarm will sound until a code is entered or the bell cut-off time has expired.

.....

Bell Cut-off	Section [005]
Bell Circuit Trouble Reporting Code	Section [349]
Bell Circuit Trouble Restoral Reporting Code ..	Section [350]
Temporal Three Fire Signal Enable/Disable .	Section [013]: [8]
Fire Bell Continuous	Section [014]: [8]

.....

5.14 Test Transmission

To ensure that the communication link with the central station is functioning properly, the panel can be programmed to send a test transmission signal on a regular basis.

The panel can send a **Periodic Test Transmission Reporting Code** at the programmed **Test Transmission Time of Day**. The **Test Transmission Cycle** determines the number of days (001 to 255) between tests. If the test transmission cycle being programmed is of a lesser value than the previous value, the system will wait the original period before the next test transmission is sent, and then begin reporting with the new interval.

The panel can also send a test for the LINKS 1000 Cellular Communicator, if being used. If the **LINKS 1000 Test Transmission Code** is programmed, the panel will send a cellular test at the interval programmed in the **LINKS Test Transmission Cycle**.

! The LINKS Test Transmission Cycle can only be programmed in days.

The end user can generate a communicator test. If the **System Test Reporting Code** is programmed, the panel will send the signal when the System Test keypad command is entered (see Section 3.4 – “[*] Commands; [*] [6] User Functions”).

.....

Test Transmission Reporting Codes	Section [352]
Test Transmission Time of Day	Section [371]
Test Transmission Cycles	Section [370]

.....

5.15 Transmission Delay

If the transmission delay zone attribute is selected for a given zone, the panel will delay reporting an alarm for that zone for the number of seconds programmed for the **Transmission Delay Time**. If the panel is disarmed before the delay time expires, the panel will not report the event.

.....

Transmission Delay Time	Section [370]
-------------------------------	---------------

.....

5.16 Fire, Auxiliary and Panic Keys

The emergency keys are available on all keypads. These keys must be pressed and held for two seconds before they will activate. This two second delay is designed to help prevent accidental activation.

If the **[F] / 🔥 Key** option is enabled, when the Fire keys are pressed and held for two seconds, the panel will activate the alarm output following the option programmed in section [013]: [8] (see section 5.13 “Siren”). The alarm output will sound until a code is entered or until the bell cut-off time expires.

Communication of the signal to central station is immediate.

If the **[A] / ⚠️ Key** is pressed and held for two seconds, the panel will sound the keypad beeps three times to verify activation. The panel will beep the keypad ten times rapidly when kissoff is received, to verify communication to the central station.

If the **[P] / 🛡️ Key** is pressed and held for two seconds, the panel will immediately communicate the signal to central station.

If **[P] Key Audible Bell and Buzzer** option is enabled, the panel will beep the keypad three times upon activation and activate the alarm output until a code is entered or the bell cut-off expires. Otherwise the alarm will be completely silent.

Each LCD keypad may be programmed to have the [F], [A], & [P] keys enabled or disabled. Please refer to Appendix C “Programming LCD Keypads”.

! The Fire, Auxiliary, Panic keys will operate even if Keypad Blanking is active (See Section 5.22 “Keypad Blanking”).

.....

[F] Key Enable	Section [015]: [1]
[P] Key Audible Bell and Buzzer	Section [015]: [2]

.....

5.17 Arming/Disarming Options

If the **Quick Arm** option is enabled, the panel can be armed without a user code by entering [*][0] or by pressing the Stay or Away function key.

The **Quick Exit** option, if enabled, will allow someone to leave an armed premises through a Delay type zone without having to disarm and re-arm the system. See Section 3.4 “[*] Commands”.

If the **Arm/Disarm Bell Squawk** option is enabled, the panel will squawk the alarm output once upon arming and twice upon disarming. The **Opening After Alarm Keypad Ringback** option will cause the keypad to beep 10 times rapidly after the Opening After Alarm reporting code has been successfully transmitted to the central station. The **Opening After Alarm Bell Ringback** option will cause the panel to squawk the bell 10 times rapidly after the Opening After Alarm reporting code has been successfully transmitted to the central station.

Closing Confirmation, if enabled, will cause the keypad to beep 10 times rapidly after the closing Reporting Code has been successfully transmitted to central station.

If the **Bypass Status Displayed While Armed** option is chosen, the Bypass (or System light on the PC1555RKZ keypad) light will be ON while the system is armed to indicate that there are bypassed zones.

! If the panel is armed using the Stay function key, or by entering [*][9][access code], there will be no bell squawks during entry and exit delays, except for the arm/disarm bell squawks.

.....

Quick Arm Enable	Section [015]: [4]
Quick Exit Enable	Section [015]: [3]
Arm/Disarm Bell Squawk	Section [014]: [1]
Closing Confirmation	Section [381]: [4]
Opening After Alarm Keypad Ringback	Section [381]: [1]
Opening After Alarm Bell Ringback	Section [381]: [2]

.....

Bypass Status Displayed While Armed Section [016]: [7]

5.18 Entry/Exit Delay Options

Two different **Entry Delays** can be programmed: the first entry delay will be enabled for Delay 1 type zones and the second for Delay 2 type zones. Only one **Exit Delay** can be programmed.

! *When the panel is armed, the entry delay will follow the entry delay time programmed for the delay zone which is violated first.*

Upon arming, the panel will begin the exit delay. If the **Audible Exit Delay with Urgency** option is enabled, the keypad will beep at one second intervals until the exit delay expires. The keypad will beep rapidly for the last 10 seconds of exit delay to warn the user that the system is about to arm.

If the **Audible Exit Fault** option is enabled, a fault will be indicated when the user has failed to secure the system once they have exited the premises (see Section 3.1 for a full description of this feature).

For commercial applications, the **Bell Squawk on Exit Delay** option may be enabled. The panel will squawk the alarm output once every second when the exit delay is initiated and three times per second for the last 10 seconds until the exit delay expires.

Upon entry, if a Delay type zone is violated, the panel will begin the entry delay. The keypad will emit a steady tone. The keypad will pulse the keypad sounder during the last 10 seconds to warn the user the system is about to go into alarm. If there was an alarm during the armed period, the keypad will pulse for the entire entry delay to warn the user of the previous alarm.

For commercial applications **Bell Squawk on Entry Delay** may be enabled. The panel will squawk the alarm output once every second until the entry delay expires or the system is disarmed.

If the **Bell Squawk During Auto Arm** option is enabled, the bell will squawk while the system is auto-arming in order to notify anyone on the premises that the system is being armed.

If the **Exit Delay Termination** option is enabled, the panel will monitor the Delay zones during exit delay. During the exit delay, if a Delay type zone is violated and then secured, the exit delay will be terminated and the panel will be armed immediately.

Entry Delay 1 and 2 (System Times) Section [005]
Exit Delay (System Times) Section [005]
Audible Exit Delay with Urgency Section [014]: [6]
Audible Exit Fault Enabled/ Disabled Section [013]: [6]
Bell Squawk OptionsSection [014]: [2] - [4]
Exit Delay Termination Section [014]: [7]

5.19 Swinger Shutdown

The swinger shutdown feature is designed to prevent a "runaway" communicator from tying up the central station. After the panel has communicated the programmed number of transmissions for an event, it will no longer report that event until the swinger shutdown is reset. Different swinger shutdown levels can be set for zone alarms, zone tampers and maintenance signals.

By default, each **Swinger Shutdown** limit is set to [003]. The panel will not send more than three signals for each zone until the swinger shutdown is reset.

The Bell output will not be activated for alarms on zones that have exceeded the limit of alarms set in the Swinger Shutdown

counter.

Swinger shutdown will be reset every day at midnight or when the panel is armed. Once reset, the panel will again communicate normally.

Swinger Shutdown Section [370]

5.20 Event Buffer

The panel will store the last 128 events which occurred on the system. The Event Buffer will contain the name, time and date of each event, along with the zone number, user code number or any other information pertaining to the event.

If the **Event Buffer Follows Swinger Shutdown** option is enabled, the Event Buffer will not store events after the Swinger Shutdown level has been reached. This will prevent the panel from overwriting the entire buffer if a problem exists.

The Event Buffer can be viewed in three different ways: from an LCD keypad (see Section 3.4 - [★] [6] "User Functions"), printed on-site using the PC5400 printer module, or it can be uploaded using DLS software.

Event Buffer Follows Swinger Shutdown Section [013]: [7]

5.21 Keypad Lockout Options

The panel can be programmed to "lock out" keypads if a series of incorrect user codes are entered. Once the **Number of Invalid Codes Before Lockout** limit has been reached, the panel will lock out the keypad for the **Lockout Duration** and log the event to the Event Buffer. For the duration of the Lockout, the panel will sound an error tone when any key is pressed.

! *The Invalid Code Counter will be reset every hour.*

To disable the keypad lockout option, program the Number of Invalid Codes Before Lockout as [000].

! *If Keypad Lockout is active, the panel CANNOT be armed / disarmed with a keyswitch.*

Keypad Lockout Options Section [012]

5.22 Keypad Blanking

If the **Blank Keypad when not in use** option is enabled, the panel will turn off all lights and LCDs on the keypads when no keys are pressed for 30 seconds. The keys, however, will remain backlit.

The panel will turn the lights and LCDs back on if entry delay begins or an audible alarm occurs. The lights and LCDs will also come on if a key is pressed, or if a valid User Code is entered when the **Code Required to Restore Blanking Option** is enabled.

If the **Power Save Mode** option is enabled the panel will blank all keypad lights including backlighting when AC power fails, in order to conserve the back up battery.

Blank Keypad when not in use Section [016]: [3]
Code Required to Restore Blanking Section [016]: [4]
Power Save Mode Section [016]: [6]

5.23 Keypad Backlighting

The keys of all the keypads can be backlit to provide easy viewing in dim lighting conditions. If the **Keypad Backlighting Option** is enabled the keys will be illuminated.

.....
 Keypad Backlighting Option Section [016]: [5]

5.24 Loop Response

The normal loop response time for all zones is 500 milliseconds. The panel will not consider a zone violated unless it is violated for at least 500 milliseconds.

Zone 1 on the control board, however, can be programmed for a fast loop response (10ms).

.....
 Zone 1 is Fast Loop Response Section [013]: [5]

5.25 Keypad Tamper

If the **Keypad Tamper Enable** option is selected, the panel will display and transmit a **General System Tamper** reporting code if any keypad is removed from the wall. When the keypad tamper is restored, the panel will transmit the **General System Tamper Restoral** reporting code. All keypads should be properly installed and secured before enabling this option.

.....
 Keypad Tamper Enable Section [016]: [8]
 General System Tamper and Tamper
 Restoral Reporting Codes Section [338]

! *After enabling Keypad Tamper, it is recommended to tamper and restore all keypads to ensure proper functioning.*

5.26 LINKS 1000 Cellular Communicator

The LINKS 1000 Cellular Communicator can be used three different ways: as the sole communicator for the panel, as a back up for either or both phone numbers or as a redundant back up to the land line communicator, where the panel will call both the land line and via the LINKS. A **LINKS Preamble** is programmable for each phone number in the event that the land line number is local but the LINKS is required to dial an exchange. When programming a LINKS Preamble, all unused digits must be programmed with a hexadecimal "F".

Using LINKS 1000 as the Sole Communicator

The panel can be programmed to report an event only using the LINKS 1000 cellular communicator. To program this option, select only the LINKS 1000 in the **Communicator Call Direction Options**. The **Call LINKS as well as Land Line** option must also be enabled.

When the selected event occurs the panel will only attempt to call central station using the LINKS.

Using the LINKS 1000 as a Backup Communicator

The panel can be programmed to call using the LINKS 1000 Cellular Communicator if the panel is having difficulty communicating an event using the land line. To program this option, select both the phone number and LINKS options in the **Communicator Call Direction Options**. The **LINKS is Backup of Land Lines** option must be selected.

When used as a backup communicator, the panel will attempt to call the central station in the following manner:

- the panel will try to call using land lines – if unsuccessful, the panel will try to call using the LINKS
- if unsuccessful, the panel will try to call using the land lines on the next dialing attempt

This process will continue until the panel has successfully communicated with the central station or until the panel's dialing attempts have been exhausted.

Using the LINKS as a Redundant Communicator

The panel can be programmed to call using first the land line and then the LINKS 1000 Cellular Communicator when an event occurs. To program this option, select both the phone number and the LINKS options for the **Communicator Call Direction Options** for the event. The **Call LINKS as well as Land Line** option must be selected.

In some areas of North America, dialing #DAT or ★DATA reduces the cellular billing increment. Enabling programming section [393] **LINKS Special Preamble**, allows the use of [★] and [#] characters for the programming of #DAT and ★DATA. The LINKS Special Preamble is sent BEFORE the Preamble programmed in Sections [390] to [392].

Example: [Special Preamble][Regular Preamble][Telephone Number]

! *If this Special Preamble is programmed, it will be inserted before the Regular Preamble of ALL telephone numbers. Hex digits D and E are not supported for Preamble programming.*

Please refer to the LINKS1000 installation Manual for more information and connection diagrams.

.....
 LINKS Preamble (First Telephone Number) Section [390]
 LINKS Preamble (Second Telephone Number) Section [391]
 LINKS Preamble (Third Telephone Number) Section [392]
 LINKS Preamble
 (Downloading Telephone Number) Section [490]
 Communicator Call Direction Options Section [361]-[368]
 Call LINKS as well as Land Line Section [380]: [7]
 LINKS Special Preamble Section [393]

5.27 Additional System Modules

The following modules are programmed through the Module Programming sections [801]-[804]: the PC5400 Printer module, the Links2X50 Long-Range Radio interface and the PC5132 Wireless Receiver and all of its devices. For instructions on the installation and programming of these additional modules and devices, please see their respective installation and programming manuals.

.....
 PC5400 Programming Section [801]
 LINKS2X50 Programming Section [803]
 PC5132 Programming Section [804]

5.28 Resetting Factory Defaults

On occasion, it may be necessary to default the main control panel or one of the connected modules: the LINKS2X50 Radio interface, the PC5132 wireless receiver, and the PC5400 Printer module.

To default the main control panel (hardware), perform the following:

1. Remove AC and battery from the panel.
2. Remove all wires from the Zone 1 and PGM1 terminals.

3. With a piece of wire short the Zone 1 terminal to the PGM1 terminal.
4. Apply AC power to the main panel.
5. When Zone Light 1 is lit on the keypad, the default is complete.
6. Remove AC power from the control
7. Reconnect all original wiring and power up the control.

! *AC power must be used to power the panel. The panel will not default if only the battery is used.*

To default the main control panel software and other modules, perform the following:

1. Enter the Installer's Programming mode.
2. Enter the appropriate programming section [XXX].
3. Enter the Installer's Code.
4. Re-enter the appropriate programming section [XXX].

The panel will take a few seconds to perform the default. When the keypad is again operational the default is complete.

.....

Restore LINKS2X50 to Default Programming.....	Section [993]
Restore PC5132 to Default Programming	Section [996]
Restore PC5400 to Default Programming	Section [997]
Restore Panel to Default Programming	Section [999]

.....

5.29 Installer's Lockout

If **Installer's Lockout** is selected, a hardware default cannot be performed. If a software default is performed, all programming will restore to factory default.

If **Installer's Lockout Disable** is selected, the panel will restore all programming to factory defaults when a hardware or software default is performed on the main control panel.

To enable or disable Installer's Lockout, perform the

following:

1. Enter the Installer's Programming mode.
2. Enter the appropriate programming section: [990] or [991].
3. Enter the Installer's Code.
4. Re-enter the appropriate programming section: [990] or [991].

.....

Installer Lockout Enable	Section [990]
Installer Lockout Disable	Section [991]

.....

5.30 Walk Test (Installer)

The **Installer Walk Test** can be used to test the alarm state of each zone of the panel. The walk test cannot be used to test zone type [24].

Before beginning the walk test, ensure the following conditions are met:

1. The panel is in the "ready" state.
2. The Keypad Blanking option is disabled (section [016]: [3])
3. The Fire Bell is Continuous option is disabled (section [014]: [8])
4. The Transmission Delay is disabled, if Transmission Delay is not required (section [370])

! *Fire Troubles are not supported in Walk Test.*

To perform a Walk Test, do the following:

- Step 1 - Enter Installer Programming
 Step 2 - Enter Section [901]

When any zone is violated the panel will activate the Bell Output for two seconds, log the event to the Event Buffer and communicate the alarm to central station. Each zone should be tested several times during the test. Check the event buffer to ensure that all zones and FAP keys are functioning properly.

To stop the test, you must do the following:

- Step 1 - Restore all zones
 Step 2 - Enter Installer Programming
 Step 3 - Enter Section [901]

Step 4 - Check the Event Buffer after the Walk Test is complete, to ensure that the Audible/Silent 24-hr PGM alarms have been restored.

! *The Walk Test should always be entered from the normal state ([*][8][Installer's Code][901]). Fire Troubles are not supported in Walk Test. Keypad Blanking must be removed before the Walk Test can be disabled. The option "Fire Bell is Continuous" should not be used in Walk Test mode. The Transmission Delay should be disabled before the Walk Test is entered, if it is not required.*

.....

Installer Walk Test.....	[901]
--------------------------	-------

.....

Programming Worksheets

For the Record

Customer: _____

Address: _____

Phone: _____ Installation Date: _____

Installer's Code: _____

Module Name	Description	Location
PC1555	Main Panel	_____
PC5132	Wireless Receiver	_____
PC5400	Serial Printer Module	_____
LINKS1000	Cellular Transmitter	_____
LINKS2X50	Long Range Radio	_____

Keypads	Keypad Type	Location
Keypad 1	_____	_____
Keypad 2	_____	_____
Keypad 3	_____	_____
Keypad 4	_____	_____
Keypad 5	_____	_____
Keypad 6	_____	_____
Keypad 7	_____	_____
Keypad 8	_____	_____

Zone programming can be found in sections [001], [101] - [108], [020] and [202] . Use this area to record a summary of your zone programming. Refer to Appendix C: Programming LCD Keypads, for instructions on programming zone labels.

System Zone	Zone Label	Zone Type	Zone Attributes*								Serial Number (Wireless)
			1	2	3	4	5	6	7	8	
Zone 1	_____	_____	_____	_____	_____	_____	_____	_____	_____	_____	_____
Zone 2	_____	_____	_____	_____	_____	_____	_____	_____	_____	_____	_____
Zone 3	_____	_____	_____	_____	_____	_____	_____	_____	_____	_____	_____
Zone 4	_____	_____	_____	_____	_____	_____	_____	_____	_____	_____	_____
Zone 5	_____	_____	_____	_____	_____	_____	_____	_____	_____	_____	_____
Zone 6	_____	_____	_____	_____	_____	_____	_____	_____	_____	_____	_____
Zone 7	_____	_____	_____	_____	_____	_____	_____	_____	_____	_____	_____
Zone 8	_____	_____	_____	_____	_____	_____	_____	_____	_____	_____	_____

*Zone Attributes:

- | | |
|--------------------------|------------------------------|
| Option 1: Audible/Silent | Option 5: Force |
| Option 2: Steady/Pulsed | Option 6: Swinger Shutdown |
| Option 3: Chime | Option 7: Transmission Delay |
| Option 4: Bypass | Option 8: Wireless |

Keypad Programming

[000] Keypad Enrollment

(Section 2.5 "Keypad Enrollment")

NOTE: This must be done at each keypad requiring programming.

[0] Slot [Valid entries are 11-18; ie. enter [11] for slot 1, [12] for slot 2, etc.]

[1] Function Key 1 Assignment (Valid entries are 00-17)

[2] Function Key 2 Assignment (Valid entries are 00-17)

[3] Function Key 3 Assignment (Valid entries are 00-17)

[4] Function Key 4 Assignment (Valid entries are 00-17)

[5] Function Key 5 Assignment (Valid entries are 00-17)

Function Key Options:

00 Null Key

03 Stay Arm

04 Away Arm

05 [★][9] No-Entry Arm

06 [★][4] Chime On / Off

07 [★][6][—][4] System Test

08 [★][1] Bypass Mode

09 [★][2] Trouble Display

10 [★][3] Alarm Memory

11 [★][5] User Programming

12 [★][6] User Functions

13 Command Output #1 [★][7][1]

14 Command Output #2 [★][7][2]

16 [★][0] Quick Exit

17 [★][1] Reactivate Stay/Away's

	Slot (Address)	Function Key 1	Function Key 2	Function Key 3	Function Key 4	Function Key 5
LED Defaults	11	03	04	06	14	16
LCD Defaults	18	03	04	06	14	16
KEYPAD 1	_____	_____	_____	_____	_____	_____
KEYPAD 2	_____	_____	_____	_____	_____	_____
KEYPAD 3	_____	_____	_____	_____	_____	_____
KEYPAD 4	_____	_____	_____	_____	_____	_____
KEYPAD 5	_____	_____	_____	_____	_____	_____
KEYPAD 6	_____	_____	_____	_____	_____	_____
KEYPAD 7	_____	_____	_____	_____	_____	_____
KEYPAD 8	_____	_____	_____	_____	_____	_____

Basic Programming

Zone Definitions

- | | | |
|---|---------------------------------------|--|
| 00 Null Zone (Not Used) | 09 24 Hour Supervisory (LINKS) | 18 24 Hour Sprinkler |
| 01 Delay 1 | 10 24 Hour Supervisory Buzzer | 19 24 Hour Water |
| 02 Delay 2 | 11 24 Hour Burglary | 20 24 Hour Freeze |
| 03 Instant | 12 24 Hour Holdup | 21 24 Hour Latching Tamper |
| 04 Interior | 13 24 Hour Gas | 22 Momentary Keyswitch Arm |
| 05 Interior, Stay/Away | 14 24 Hour Heat | 23 Maintained Keyswitch Arm |
| 06 Delay, Stay/Away | 15 24 Hour Medical | 24 LINKS Answer |
| 07 Delayed 24 Hour Fire (Hardwired) | 16 24 Hour Panic | 87 Delay 24 Hour Fire (Wireless) |
| 08 Standard 24 Hour Fire (Hardwired) | 17 24 Hour Emergency | 88 Standard 24 Hour Fire (Wireless) |



If 24-hour Buzzer zones are used, keypads must be installed

[001] Zone 1-8 Definitions

(Section 5.2 "Zone Programming")

Default		Default	
01	_____	04	_____
	Zone 1		Zone 5
03	_____	04	_____
	Zone 2		Zone 6
03	_____	00	_____
	Zone 3		Zone 7
03	_____	00	_____
	Zone 4		Zone 8



Keypad zones are assigned in Section [020]. Zone Attributes are assigned in Sections [101] - [108]. Zone assignment is in section [202].

[005] System Times

Default [001-255]

030	_____	Entry Delay 1 (in seconds)	(Section 5.18 "Entry/Exit Delay Options")
045	_____	Entry Delay 2 (in seconds)	(Section 5.18 "Entry/Exit Delay Options")
120	_____	Exit Delay (in seconds)	(Section 5.18 "Entry/Exit Delay Options")
004	_____	Bell Cut-off (in minutes)	(Section 5.13 "Siren")

[006] Installer's Code

(Section 4.1 "Installer Programming")

Default
1555 _____

[007] Master Code

(Section 5.1 "Programming Security Codes")

Default
1234 _____

[008] Maintenance Code

(Section 5.1 "Programming Security Codes")

Default
AAAA _____

[009] PGM Output Programming (PGM 1 and 2)
(Section 5.11 "PGM Output Options")

Programmable Output Options

- | | |
|--|--|
| 01 Burglary and Fire Bell Output | 13 Kissoff Output |
| 02 For future use | 14 Ground Start Pulse |
| 03 Sensor Reset | 15 Remote Operation (DLS-1 Support) |
| 04 2-wire Smoke Support (PGM2 only) | 16 LINKS 1000 Support (PGM1 only) |
| 05 System Armed Status | 17 Away Armed Status |
| 06 Ready To Arm | 18 Stay Armed Status |
| 07 Keypad Buzzer Follow Mode | 19 Command Output #1 ([*] [7] [1]) |
| 08 Courtesy Pulse | 20 Command Output #2 ([*] [7] [2]) |
| 09 System Trouble Output (with Trouble options) | 21 For future use |
| 10 Latched System Event [Strobe (with Event options)] | 22 For future use |
| 11 System Tamper (all sources: zones, kpd, modules) | 23 Silent 24 Hour (PGM2 Only) |
| 12 TLM and Alarm | 24 Audible 24 Hour (PGM2 Only) |



Output types [03], [04] and [20] cannot be used together on the same system.

Default

19 PGM 1

10 PGM 2

Program PGM Option Attributes in sections [141] & [142].

[012] Keypad Lockout Options
(Section 5.21 "Keypad Lockout Options")



If Keypad Lockout is active, the panel cannot be disarmed with a keyswitch.

Default

000 Number of Invalid Codes Before Lockout (001-255 codes)

000 Lockout Duration (001-255 minutes)

[013] First System Option Code

Default	Option	ON	OFF	Section
OFF	<input type="checkbox"/> 1	Normally Closed Loops	End-of-Line Resistors	2.8
OFF	<input type="checkbox"/> 2	Double End-of-Line Resistors	Single End-of-Line Resistors	2.8
ON	<input type="checkbox"/> 3*	Panel shows all troubles when armed	Panel shows only Fire troubles when armed	3.4
OFF	<input type="checkbox"/> 4	Tampers/Faults do not show as open	Tampers/Faults show as open	5.8
OFF	<input type="checkbox"/> 5	Zone 1 is Fast Loop Response	Zone 1 is Standard Loop Response	5.24
ON	<input type="checkbox"/> 6	Audible Exit Fault Enabled	Audible Exit Fault Disabled	5.18
ON	<input type="checkbox"/> 7	Event Buffer Follows Swinger Shutdown	Event Buffer Logs Events Past shutdown	5.20
OFF	<input type="checkbox"/> 8	Temporal Three Fire Signal Enabled	Standard Pulsed Fire Signal	5.13

* Option 3 must be OFF if LCD keypads older than v2.0 are used.

[014] Second System Option Code

Default	Option	ON	OFF	Section
OFF	<input type="checkbox"/> 1	Arm / Disarm Bell Squawk enabled	Arm / Disarm Bell Squawk disabled	5.17
OFF	<input type="checkbox"/> 2	Bell Squawk During Auto Arm	No Bell Squawk During Auto Arm	5.18
OFF	<input type="checkbox"/> 3	Bell Squawk On Exit Delay	No Bell Squawk On Exit Delay	5.18
OFF	<input type="checkbox"/> 4	Bell Squawk On Entry Delay	No Bell Squawk On Entry Delay	5.18
OFF	<input type="checkbox"/> 5	Bell Squawk On Trouble	No Bell Squawk On Trouble	3.4
ON	<input type="checkbox"/> 6	Audible Exit with Urgency	Silent Exit Delay	5.18
OFF	<input type="checkbox"/> 7	Exit Delay Termination Enabled	Exit Delay Termination Disabled	5.18
OFF	<input type="checkbox"/> 8	Fire Bell is Continuous	Fire Bell follows Bell Cut-off	5.13

[015] Third System Option Code

Default	Option	ON	OFF	Section
ON	<input type="checkbox"/>	1 Fire Keys Enabled	Fire Keys Disabled	5.16
OFF	<input type="checkbox"/>	2 Panic Keys Audible (Bell / Beeps)	Panic Keys Silent	5.16
OFF	<input type="checkbox"/>	3 Quick Exit Enabled	Quick Exit Disabled	3.4
ON*	<input type="checkbox"/>	4 Quick Arming Enabled	Quick Arming Dis. / Function keys Req. Code	3.4
OFF	<input type="checkbox"/>	5 Code Required For Bypassing	No Code Required	3.4
OFF	<input type="checkbox"/>	6 Master Code Not Changeable	Master Code Changeable	5.1
ON	<input type="checkbox"/>	7 TLM Enabled	TLM Disabled	5.12
OFF	<input type="checkbox"/>	8 TLM Audible (Bell) When Armed	TLM Trouble Beeps When Armed	5.12

*** When using a PC5132 version 2.1 or older with WLS909 Wireless Keys, option [4] must be ON for the arm button to work.**

[016] Fourth System Option Code

Default	Option	ON	OFF	Section
ON	<input type="checkbox"/>	1 AC Trouble Displayed	AC Trouble Not Displayed	3.4
OFF	<input type="checkbox"/>	2 Trouble Light Flashes if AC Fails	Trouble Light Does Not Follow AC Status	3.4
OFF	<input type="checkbox"/>	3 Blank Keypad When Not Used	Keypad Active Always	5.22
OFF	<input type="checkbox"/>	4 Code Required to Remove Kypd Blanking	No Code Required	5.22
ON	<input type="checkbox"/>	5 Keypad Backlighting is enabled	Keypad Backlighting is disabled	5.23
OFF	<input type="checkbox"/>	6 Power Save Mode enabled	Power Save Mode disabled	5.22
OFF	<input type="checkbox"/>	7 Bypass Status Displayed While Armed	Bypass Status Not Displayed While Armed	5.17
OFF	<input type="checkbox"/>	8 Keypad Tamper enabled	Keypad Tamper disabled	5.25

[020] Keypad Zone Assignments

(Section 2.12 "Keypad Zones")



Only one keypad may be assigned to any given zone.

Default		
00	<input type="checkbox"/>	Keypad (Slot 1) Zone
00	<input type="checkbox"/>	Keypad (Slot 2) Zone
00	<input type="checkbox"/>	Keypad (Slot 3) Zone
00	<input type="checkbox"/>	Keypad (Slot 4) Zone
00	<input type="checkbox"/>	Keypad (Slot 5) Zone
00	<input type="checkbox"/>	Keypad (Slot 6) Zone
00	<input type="checkbox"/>	Keypad (Slot 7) Zone
00	<input type="checkbox"/>	Keypad (Slot 8) Zone

Advanced System Programming

Zone Attributes

(Section 5.3 "Zone Attributes")

Zone Attribute Defaults (Y = Option ON; N = Option OFF):

Attribute:	1	2	3	4	5	6	7	8
ON	Audible	Steady	Chime	Bypass	Force	Swing	Tx. Delay	Wireless Zn.
OFF	Silent	Pulsed	No	No	No	No	No	No
Zone Type:								
00 Null Zone	N	N	N	N	N	N	N	N
01 Delay 1	Y	Y	Y	Y	N	Y	N	N
02 Delay 2	Y	Y	Y	Y	N	Y	N	N
03 Instant	Y	Y	Y	Y	N	Y	N	N
04 Interior	Y	Y	N	Y	N	Y	N	N
05 Int. Stay/Away	Y	Y	N	Y	Y	Y	N	N
06 Dly. Stay/Away	Y	Y	N	Y	Y	Y	N	N
07 Dly. 24hr Fire (Hardw.)	Y	N	N	N	N	N	N	N
08 Stand. 24hr Fire (Hardw.)	Y	N	N	N	N	N	N	N
09 24hr Superv.	N	Y	N	N	Y	N	N	N
10 24hr Superv. Buzzer	N	Y	N	Y	N	N	N	N
11 24hr Burglary	Y	Y	N	Y	N	N	N	N
12 24hr Holdup	N	Y	N	N	N	N	N	N
13 24hr Gas	Y	N	N	N	N	N	N	N
14 24hr Heat	Y	N	N	N	N	N	N	N
15 24hr Medical	Y	Y	N	N	N	N	N	N
16 24hr Panic	Y	Y	N	N	N	N	N	N
17 24hr Emergency	Y	Y	N	N	N	N	N	N
18 24hr Sprinkler	Y	Y	N	N	N	N	N	N
19 24hr Water	Y	Y	N	N	N	N	N	N
20 24hr Freeze	Y	Y	N	N	N	N	N	N
21 24hr Latching Tamper	Y	Y	N	N	N	N	N	N
22 Momentary Keypad	N	N	N	N	Y	N	N	N
23 Maintained Keypad	N	N	N	N	Y	N	N	N
24 LINKS Answer	N	N	N	N	Y	N	N	N
87 Dly. 24hr Fire (Wireless)	Y	N	N	N	N	N	N	Y
88 Stand. 24hr Fire (Wireless)	Y	N	N	N	N	N	N	Y

Section	Zone #	Zone Type*	1	2	3	4	5	6	7	8
[101]	1	()	<input type="checkbox"/>	<input type="checkbox"/>	<input type="checkbox"/>	<input type="checkbox"/>	<input type="checkbox"/>	<input type="checkbox"/>	<input type="checkbox"/>	<input type="checkbox"/>
[102]	2	()	<input type="checkbox"/>	<input type="checkbox"/>	<input type="checkbox"/>	<input type="checkbox"/>	<input type="checkbox"/>	<input type="checkbox"/>	<input type="checkbox"/>	<input type="checkbox"/>
[103]	3	()	<input type="checkbox"/>	<input type="checkbox"/>	<input type="checkbox"/>	<input type="checkbox"/>	<input type="checkbox"/>	<input type="checkbox"/>	<input type="checkbox"/>	<input type="checkbox"/>
[104]	4	()	<input type="checkbox"/>	<input type="checkbox"/>	<input type="checkbox"/>	<input type="checkbox"/>	<input type="checkbox"/>	<input type="checkbox"/>	<input type="checkbox"/>	<input type="checkbox"/>
[105]	5	()	<input type="checkbox"/>	<input type="checkbox"/>	<input type="checkbox"/>	<input type="checkbox"/>	<input type="checkbox"/>	<input type="checkbox"/>	<input type="checkbox"/>	<input type="checkbox"/>
[106]	6	()	<input type="checkbox"/>	<input type="checkbox"/>	<input type="checkbox"/>	<input type="checkbox"/>	<input type="checkbox"/>	<input type="checkbox"/>	<input type="checkbox"/>	<input type="checkbox"/>
[107]	7	()	<input type="checkbox"/>	<input type="checkbox"/>	<input type="checkbox"/>	<input type="checkbox"/>	<input type="checkbox"/>	<input type="checkbox"/>	<input type="checkbox"/>	<input type="checkbox"/>
[108]	8	()	<input type="checkbox"/>	<input type="checkbox"/>	<input type="checkbox"/>	<input type="checkbox"/>	<input type="checkbox"/>	<input type="checkbox"/>	<input type="checkbox"/>	<input type="checkbox"/>

*Record here based on programming in section [001]

PGM Output Attributes

(Section 5.11 "PGM Output Options")

Program only the following attributes for the PGM Options listed. All others will be ignored. PGM Options are programmed in section [009].

PGM Attribute Defaults (Y = Attribute ON; N = Attribute OFF):

Attribute:	1	2	3	4	5
ON	Output enabled	—	True Output	5 sec. pulse	Code Req.
OFF	Output disabled	—	Inverted	On / Off	No Code Req.
PGM Option					
[01] Burg. / Fire Bell	Y		Y		
[03] Sensor Reset	Y		Y		N
[04] 2-Wire Smk			Y		N
[05] Armed Status	Y		Y		
[06] Ready To Arm	Y		Y		
[07] Kypd Bzz Follow	Y		Y		
[08] Courtesy Pulse	Y		Y		
[11] System Tamper			Y		
[12] TLM and Alarm			Y		
[13] Kiss-off			Y		
[14] Gnd Strt Pulse			Y		
[15] Remote Op.			Y		
[16] LINKS 1000 Sup.			Y		
[17] Away Armed Status	Y		Y		
[18] Stay Armed Status	Y		Y		
[19] Comm. Output #1	Y		Y	Y	Y
[20] Comm. Output #2	Y		Y	Y	N
[23] Silent 24 Hr			Y		
[24] Audible 24 Hr			Y		

Attribute:	1	2	3	4	5	6	7	8
PGM Option								
ON	Serv. req.	AC Fail	TLM Fault	FTC	Zone Fault	Zone Temp.	Zn. Low Bat.	Loss of Clock
OFF	Disabled	Disabled	Disabled	Disabled	Disabled	Disabled	Disabled	Disabled
[09] System Trouble	Y	Y	Y	Y	Y	Y	Y	Y
ON	Burg. Evnt.	Fire Evnt.	Panic Evnt.	Med. Evnt.	Supv. Evnt.	Priority Evnt.	Holdup Evnt.	—
OFF	Disabled	Disabled	Disabled	Disabled	Disabled	Disabled	Disabled	—
[10] Latched Sys. Event	Y	Y	Y	Y	Y	Y	Y	

Section	PGM #	Output Type*	1	2	3	4	5	6	7	8
[141]	1	()	<input type="checkbox"/>	<input type="checkbox"/>	<input type="checkbox"/>	<input type="checkbox"/>	<input type="checkbox"/>	<input type="checkbox"/>	<input type="checkbox"/>	<input type="checkbox"/>
[142]	2	()	<input type="checkbox"/>	<input type="checkbox"/>	<input type="checkbox"/>	<input type="checkbox"/>	<input type="checkbox"/>	<input type="checkbox"/>	<input type="checkbox"/>	<input type="checkbox"/>

*Record here based on programming in section [009]

[160] Maximum Dialing Attempts to Each Phone Number

(Section 5.5 "Communicator Dialing")

Default: 008 Valid entries are 001-255 attempts (Do not enter 000)

[161] Post Dial Wait for Handshake (All Formats)

(Section 5.5 "Communicator Dialing")

Default: 040 Valid entries are 001-255 seconds

[202] Zone Assignments

(Section 5.2 "Zone Programming")

Program *Zone Definitions* in section [001] and *Zone Attributes* in sections [101] - [108].

Program *Keypad Zone Assignments* in section [020].

! *Any zones not used on the system should be disabled in this section. Disabled wireless zones should have a blank serial number (ie. [000000]).*

Default	Option	ON	OFF
ON	<input type="checkbox"/>	1 Zone 1 is enabled	Zone 1 is disabled
ON	<input type="checkbox"/>	2 Zone 2 is enabled	Zone 2 is disabled
ON	<input type="checkbox"/>	3 Zone 3 is enabled	Zone 3 is disabled
ON	<input type="checkbox"/>	4 Zone 4 is enabled	Zone 4 is disabled
ON	<input type="checkbox"/>	5 Zone 5 is enabled	Zone 5 is disabled
ON	<input type="checkbox"/>	6 Zone 6 is enabled	Zone 6 is disabled
ON	<input type="checkbox"/>	7 Zone 7 is enabled	Zone 7 is disabled
ON	<input type="checkbox"/>	8 Zone 8 is enabled	Zone 8 is disabled

Communicator Programming

NOTE: For sections [301] to [353], the content of every section by default is [F].

[301] First Telephone Number (32 Digits)

(Section 5.7 "Communicator – Phone Numbers")

[302] Second Telephone Number (32 Digits)

(Section 5.7 "Communicator – Phone Numbers")

[303] Third Telephone Number (32 Digits)

(Section 5.7 "Communicator – Phone Numbers")

[310] First/Third Telephone Number Account Code

(Section 5.6 "Communicator – Account Numbers")

[311] Second Telephone Number Account Code

(Section 5.6 "Communicator – Account Numbers")

[320] Alarm Reporting Codes, Zones 1-8

(Section 5.8 "Communicator – Reporting Codes")

<input type="checkbox"/>	Zone 1	<input type="checkbox"/>	Zone 5
<input type="checkbox"/>	Zone 2	<input type="checkbox"/>	Zone 6
<input type="checkbox"/>	Zone 3	<input type="checkbox"/>	Zone 7
<input type="checkbox"/>	Zone 4	<input type="checkbox"/>	Zone 8

[324] Alarm Restoral Reporting Codes, Zones 1-8

(Section 5.8 "Communicator – Reporting Codes")

<input type="checkbox"/>	Zone 1	<input type="checkbox"/>	Zone 5
<input type="checkbox"/>	Zone 2	<input type="checkbox"/>	Zone 6
<input type="checkbox"/>	Zone 3	<input type="checkbox"/>	Zone 7
<input type="checkbox"/>	Zone 4	<input type="checkbox"/>	Zone 8

[328] Miscellaneous Alarm Reporting Codes

(Section 5.8 "Communicator – Reporting Codes")

<input type="checkbox"/>	Duress Alarm	<input type="checkbox"/>	Zone Expander Supervisory Alarm
<input type="checkbox"/>	Opening After Alarm	<input type="checkbox"/>	Zone Expander Supervisory Restoral
<input type="checkbox"/>	Recent Closing	<input type="checkbox"/>	Cross Zone Police Code Alarm

[329] Priority Alarm and Restoral

(Section 5.8 "Communicator – Reporting Codes")

<input type="text"/>	Keypad Fire Alarm	<input type="text"/>	Keypad Fire Restoral
<input type="text"/>	Keypad Auxiliary Alarm	<input type="text"/>	Keypad Auxiliary Restoral
<input type="text"/>	Keypad Panic Alarm	<input type="text"/>	Keypad Panic Restoral
<input type="text"/>	PGM2 Alarm	<input type="text"/>	PGM2 Restoral

[330] Tamper Reporting Codes, Zones 1-8

(Section 5.8 "Communicator – Reporting Codes")

<input type="text"/>	Zone 1	<input type="text"/>	Zone 5
<input type="text"/>	Zone 2	<input type="text"/>	Zone 6
<input type="text"/>	Zone 3	<input type="text"/>	Zone 7
<input type="text"/>	Zone 4	<input type="text"/>	Zone 8

[334] Tamper Restoral Reporting Codes, Zones 1-8

(Section 5.8 "Communicator – Reporting Codes")

<input type="text"/>	Zone 1	<input type="text"/>	Zone 5
<input type="text"/>	Zone 2	<input type="text"/>	Zone 6
<input type="text"/>	Zone 3	<input type="text"/>	Zone 7
<input type="text"/>	Zone 4	<input type="text"/>	Zone 8

[338] Miscellaneous Tamper Reporting Codes

(Section 5.8 "Communicator – Reporting Codes")

<input type="text"/>	General System Tamper
<input type="text"/>	General System Tamper Rest.
<input type="text"/>	Keypad Lockout

[339] Closing (Arming) Reporting Codes, Access Codes 1-8

(Section 5.8 "Communicator – Reporting Codes")

<input type="text"/>	Code 1	<input type="text"/>	Code 5
<input type="text"/>	Code 2	<input type="text"/>	Code 6
<input type="text"/>	Code 3	<input type="text"/>	Code 7
<input type="text"/>	Code 4	<input type="text"/>	Code 8

[340] Closing (Arming) Reporting Codes, Access Codes 9-16

(Section 5.8 "Communicator – Reporting Codes")

<input type="text"/>	Code 9	<input type="text"/>	Code 13
<input type="text"/>	Code 10	<input type="text"/>	Code 14
<input type="text"/>	Code 11	<input type="text"/>	Code 15
<input type="text"/>	Code 12	<input type="text"/>	Code 16

[341] Closing (Arming) Reporting Codes, Access Codes 17-24

(Section 5.8 "Communicator – Reporting Codes")

<input type="text"/>	Code 17	<input type="text"/>	Code 21
<input type="text"/>	Code 18	<input type="text"/>	Code 22
<input type="text"/>	Code 19	<input type="text"/>	Code 23
<input type="text"/>	Code 20	<input type="text"/>	Code 24

[342] Closing (Arming) Reporting Codes, Access Codes 25-32

(Section 5.8 "Communicator – Reporting Codes")

<input type="text"/>	Code 25	<input type="text"/>	Code 29
<input type="text"/>	Code 26	<input type="text"/>	Code 30
<input type="text"/>	Code 27	<input type="text"/>	Code 31
<input type="text"/>	Code 28	<input type="text"/>	Code 32

[343] Miscellaneous Closing (Arming) Reporting Codes

(Section 5.8 "Communicator – Reporting Codes")

- | | |
|--|--|
| <input type="checkbox"/> Closing by Duress Code 33 | <input type="checkbox"/> Closing by System Code 42 |
| <input type="checkbox"/> Closing by Duress Code 34 | <input type="checkbox"/> Partial Closing |
| <input type="checkbox"/> Closing by System Code 40 | <input type="checkbox"/> Special Closing |
| <input type="checkbox"/> Closing by System Code 41 | |

[344] Opening (Disarming) Reporting Codes, Access Codes 1-8

(Section 5.8 "Communicator – Reporting Codes")

- | | |
|---------------------------------|---------------------------------|
| <input type="checkbox"/> Code 1 | <input type="checkbox"/> Code 5 |
| <input type="checkbox"/> Code 2 | <input type="checkbox"/> Code 6 |
| <input type="checkbox"/> Code 3 | <input type="checkbox"/> Code 7 |
| <input type="checkbox"/> Code 4 | <input type="checkbox"/> Code 8 |

[345] Opening (Disarming) Reporting Codes, Access Codes 9-16

(Section 5.8 "Communicator – Reporting Codes")

- | | |
|----------------------------------|----------------------------------|
| <input type="checkbox"/> Code 9 | <input type="checkbox"/> Code 13 |
| <input type="checkbox"/> Code 10 | <input type="checkbox"/> Code 14 |
| <input type="checkbox"/> Code 11 | <input type="checkbox"/> Code 15 |
| <input type="checkbox"/> Code 12 | <input type="checkbox"/> Code 16 |

[346] Opening (Disarming) Reporting Codes, Access Codes 17-24

(Section 5.8 "Communicator – Reporting Codes")

- | | |
|----------------------------------|----------------------------------|
| <input type="checkbox"/> Code 17 | <input type="checkbox"/> Code 21 |
| <input type="checkbox"/> Code 18 | <input type="checkbox"/> Code 22 |
| <input type="checkbox"/> Code 19 | <input type="checkbox"/> Code 23 |
| <input type="checkbox"/> Code 20 | <input type="checkbox"/> Code 24 |

[347] Opening (Disarming) Reporting Codes, Access Codes 25-32

(Section 5.8 "Communicator – Reporting Codes")

- | | |
|----------------------------------|----------------------------------|
| <input type="checkbox"/> Code 25 | <input type="checkbox"/> Code 29 |
| <input type="checkbox"/> Code 26 | <input type="checkbox"/> Code 30 |
| <input type="checkbox"/> Code 27 | <input type="checkbox"/> Code 31 |
| <input type="checkbox"/> Code 28 | <input type="checkbox"/> Code 32 |

[348] Miscellaneous Opening (Disarming) Reporting Codes

(Section 5.8 "Communicator – Reporting Codes")

- | | |
|--|--|
| <input type="checkbox"/> Opening by Duress Code 33 | <input type="checkbox"/> Opening by System Code 42 |
| <input type="checkbox"/> Opening by Duress Code 34 | <input type="checkbox"/> Auto Arm Cancellation |
| <input type="checkbox"/> Opening by System Code 40 | <input type="checkbox"/> Special Opening |
| <input type="checkbox"/> Opening by System Code 41 | |

[349] Maintenance Alarm Reporting Codes

(Section 5.8 "Communicator – Reporting Codes")

- | | |
|---|---|
| <input type="checkbox"/> Battery Trouble Alarm | <input type="checkbox"/> Auxiliary Power Supply Trouble Alarm |
| <input type="checkbox"/> AC Failure Trouble Alarm | <input type="checkbox"/> TLM Trouble Code (via LINKS) |
| <input type="checkbox"/> Bell Circuit Trouble Alarm | <input type="checkbox"/> General System Trouble |
| <input type="checkbox"/> Fire Trouble Alarm | <input type="checkbox"/> General System Supervisory |

[350] Maintenance Restoral Reporting Codes

(Section 5.8 "Communicator – Reporting Codes")

- | | |
|--|--|
| <input type="checkbox"/> Battery Trouble Restoral | <input type="checkbox"/> Auxiliary Power Supply Trouble Restoral |
| <input type="checkbox"/> AC Failure Trouble Restoral | <input type="checkbox"/> TLM Restoral |
| <input type="checkbox"/> Bell Circuit Trouble Restoral | <input type="checkbox"/> General System Trouble Restore |
| <input type="checkbox"/> Fire Trouble Restoral | <input type="checkbox"/> General System Supervisory Restore |

[351] Miscellaneous Maintenance Reporting Codes

(Section 5.8 "Communicator – Reporting Codes")

- Phone Number 1 Failure to Communicate Restore
- Phone Number 2 Failure to Communicate Restore
- Event Buffer is 75% Full Since Last Upload
- DLS Lead IN
- DLS Lead OUT
- General Zone Trouble Alarm
- General Zone Trouble Restore
- Delinquency Code

[352] Test Transmission Reporting Codes

(Section 5.8 "Communicator – Reporting Codes")

- Periodic Test Transmission LINKS 1000 Test Transmission Code*
- System Test

*The LINKS Test Transmission Code must be programmed as "00" for the LINKS Test Transmission to be disabled.

[353] Wireless Maintenance Reporting Codes

(Section 5.8 "Communicator – Reporting Codes")

- General Zone Low Battery Alarm General Zone Low Battery Restore

[360] Communicator Format Options

(Section 5.9 "Communicator – Reporting Formats")



The Third telephone number follows the format of the First telephone number.

Default

02 1st Phone Number

02 2nd Phone Number

01 20 BPS, 1400 HZ handshake

03 DTMF CONTACT ID

05 Pager

02 20 BPS, 2300 HZ handshake

04 SIA FSK

[361] Alarm/Restore Communicator Call Directions

(Section 5.5 "Communicator – Dialing")

Default		Option	ON	OFF
ON	<input type="checkbox"/>	1	1st Telephone Number	Disabled
OFF	<input type="checkbox"/>	2	2nd Telephone Number	Disabled
OFF	<input type="checkbox"/>	3	1st Telephone Number (via LINKS)	Disabled
OFF	<input type="checkbox"/>	4	2nd Telephone Number (via LINKS)	Disabled
OFF	<input type="checkbox"/>	5-8	For Future Use	

[363] Tamper/Restore Communicator Call Directions

(Section 5.5 "Communicator – Dialing")

Default		Option	ON	OFF
ON	<input type="checkbox"/>	1	1st Telephone Number	Disabled
OFF	<input type="checkbox"/>	2	2nd Telephone Number	Disabled
OFF	<input type="checkbox"/>	3	1st Telephone Number (via LINKS)	Disabled
OFF	<input type="checkbox"/>	4	2nd Telephone Number (via LINKS)	Disabled
OFF	<input type="checkbox"/>	5-8	For Future Use	

[365] Opening/Closing Communicator Call Directions

(Section 5.5 "Communicator – Dialing")

Default		Option	ON	OFF
ON	<input type="checkbox"/>	1	1st Telephone Number	Disabled
OFF	<input type="checkbox"/>	2	2nd Telephone Number	Disabled
OFF	<input type="checkbox"/>	3	1st Telephone Number (via LINKS)	Disabled
OFF	<input type="checkbox"/>	4	2nd Telephone Number (via LINKS)	Disabled
OFF	<input type="checkbox"/>	5-8	For Future Use	

[367] System Maintenance Alarm/Restore Communicator Call Directions

(Section 5.5 "Communicator – Dialing")

Default	Option	ON	OFF
ON <input type="checkbox"/>	1	1st Telephone Number	Disabled
OFF <input type="checkbox"/>	2	2nd Telephone Number	Disabled
OFF <input type="checkbox"/>	3	1st Telephone Number (via LINKS)	Disabled
OFF <input type="checkbox"/>	4	2nd Telephone Number (via LINKS)	Disabled
OFF <input type="checkbox"/>	5-8	For Future Use	

[368] System Test Transmissions Communicator Call Directions

(Section 5.5 "Communicator – Dialing")

Default	Option	ON	OFF
ON <input type="checkbox"/>	1	1st Telephone Number	Disabled
OFF <input type="checkbox"/>	2	2nd Telephone Number	Disabled
OFF <input type="checkbox"/>	3	1st Telephone Number (via LINKS)	Disabled
OFF <input type="checkbox"/>	4	2nd Telephone Number (via LINKS)	Disabled
OFF <input type="checkbox"/>	5-8	For Future Use	



The LINKS1000 backup call directions will only back up their respective telephone numbers.

[370] Communication Variables

Default			Section
003 <input type="checkbox"/>	Swinger Shutdown (Alarms and Rest)	(001-014 Transmissions, 000=disabled)	5.19
003 <input type="checkbox"/>	Swinger Shutdown (Tampers and Rest)	(001-014 Transmissions, 000=disabled)	5.19
003 <input type="checkbox"/>	Swinger Shutdown (Maint and Rest)	(001-014 Transmissions, 000=disabled)	5.19
000 <input type="checkbox"/>	Transmission Delay	(001-255 seconds)	5.15
030 <input type="checkbox"/>	AC Failure Communication Delay	(001-255 minutes)	5.8
003 <input type="checkbox"/>	TLM Trouble Delay	(No. of checks required - valid entries 003 - 255)	5.12
030 <input type="checkbox"/>	Test Transmission Cycle (land line)	(001-255 days)	5.14
030 <input type="checkbox"/>	Test Transmission Cycle (LINKS)	(001-255 days)	5.14
007 <input type="checkbox"/>	Zone Low Battery Transmission Delay	(000-255 days)	5.8
030 <input type="checkbox"/>	Delinquency Transmission Cycle	(001-255 days / hours)*	5.8

*Depends on programming in section [380], option [8].

NOTE: To disable the AC failure communications delay, program [000].

[371] Test Transmission Time of Day

(Section 5.14 "Test Transmission")

Default	
9999 <input type="checkbox"/>	(Valid entries are 0000-2359, 9999 to disable)

[380] First Communicator Option Code

Default	Option	ON	OFF	Section
ON <input type="checkbox"/>	1	Communications Enabled	Communications Disabled	5.5
OFF <input type="checkbox"/>	2	Restorals on Bell Time-out	Restorals Follow Zones	5.8
OFF <input type="checkbox"/>	3	Pulse Dialing	DTMF Dialing	5.5
ON <input type="checkbox"/>	4	Switch to Pulse Dialing on 5th Attempt	DTMF Dial For All Attempts	5.5
OFF <input type="checkbox"/>	5	3rd Phone Number enabled	3rd Phone Number disabled	5.7
OFF <input type="checkbox"/>	6	Alternate Dial (1st and 3rd)	Call 1st Number, Backup to 3rd	5.7
OFF <input type="checkbox"/>	7	Call LINKS as well as Land Line	LINKS is Backup of Land Line(s)	5.26
OFF <input type="checkbox"/>	8	Delinquency Follows Zone Activity (hours)	Delinquency Follows Arming (days)	5.8

[381] Second Communicator Option Code

Default	Option	ON	OFF	Section
OFF	<input type="checkbox"/>	1 Open After Alarm Kypd Ringback enabled	Open After Alrm Kypd Ringback disabled	5.17
OFF	<input type="checkbox"/>	2 Open After Alarm Bell Ringback enabled	Open After Alrm Bell Ringback disabled	5.17
OFF	<input type="checkbox"/>	3 SIA Sends Programmed Rep. Codes	SIA Sends Automatic Rep. Codes	5.9
OFF	<input type="checkbox"/>	4 Closing Confirmation Enabled	Closing Confirmation Disabled	5.17
OFF	<input type="checkbox"/>	5-8 For Future Use	—	

[390] LINKS Preamble (First Telephone Number)

(Section 5.26 "LINKS 1000 Cellular Communicator")

Default

FFFF (Program all unused digits with Hex F)

[391] LINKS Preamble (Second Telephone Number)

(Section 5.26 "LINKS 1000 Cellular Communicator")

Default

FFFF (Program all unused digits with Hex F)

[392] LINKS Preamble (Third Telephone Number)

(Section 5.26 "LINKS 1000 Cellular Communicator")

Default

FFFF (Program all unused digits with Hex F)

[393] LINKS Special Function Preamble (All Telephone Numbers)

(Section 5.26 "LINKS 1000 Cellular Communicator")

Default

FFFFFF (Program all unused digits with Hex F)

- Enter [*] [2] [*] (HEX B) to dial [*]
- Enter [*] [3] [*] (HEX C) to dial [#]

Downloading Options

[401] First Downloading Option Code

(Section 5.10 "Downloading")

Default	Option	ON	OFF
OFF	<input type="checkbox"/>	1 Answering machine/double call enabled	Answering machine/double call disabled
ON	<input type="checkbox"/>	2 User Can Enable DLS Window	User Cannot Enable DLS Window
OFF	<input type="checkbox"/>	3 Call-Back Enabled	Call-Back Disabled
OFF	<input type="checkbox"/>	4 User-initiated call-up enabled	User-initiated call-up disabled
OFF	<input type="checkbox"/>	5-8 For Future Use	

[402] Downloading Computer's Telephone Number (32 Digits)

(Section 5.10 "Downloading")

[403] Downloading Access Code

(Section 5.10 "Downloading")

Default: 1555 Enter 4 HEX digits

[404] Panel Identification Code

(Section 5.10 "Downloading")

Default: 1555 Enter 4 HEX digits

[405] Answering Machine Double-call Timer

(Section 5.10 "Downloading")

Default: 060 (Valid entries are 001-255 seconds)

[406] Number of Rings to Answer On
 (Section 5.10 "Downloading")
 Default: 000 (Valid entries are 000-255 rings)

[490] LINKS Preamble (Downloading Telephone Number)
 (Section 5.10 "Downloading")
 Default: FFFF (Program all unused digits with Hex F)

[499] [Installer's Code] [499] Initiate PC-Link (Local Downloading)
 (Section 5.10 "Downloading")

Module Programming

[801] PC5400 Printer Module Programming
 Please refer to your PC5400 Installation Manual for installation and programming instructions.

[803] LINKS2X50 Long Range Radio Interface Programming
 Please refer to your LINKS2X50 Installation Manual for installation and programming instructions.

[804] PC5132 Wireless Expansion Programming
 Please refer to your PC5132 Installation Manual for programming locations and instructions.

Special Installer Functions

[901] Installer Walk Test Mode Enable / Disable
 (Section 5.30 "Walk Test [Installer]")

[902] Module Supervision Reset
 (Section 2.7 "Removing Modules")

[903] Module Supervision Field
 (Section 2.6 "Supervision")

[904] Wireless Module Placement Test
 For more information, please refer to your PC5132 Installation Manual

- Select the module / transmitter (Zones 01-8).
- Press [#] to Cancel.

Placement	Led Keypad	LCD Keypad	Bell / Buzzer
Good	Light 1 ON Steady	"GOOD"	1 Beep / Squawk
Fair	Light 2 ON Steady	"FAIR"	2 Beeps / Squawks
Bad	Light 3 ON Steady	"BAD"	3 Beeps / Squawks

[990] Installer Lockout Enable
 (Section 5.29 "Installer Lockout")

[991] Installer Lockout Disable
 (Section 5.29 "Installer Lockout")

[993] Restore LINKS2X50 Factory Default Programming
 (Section 5.28 "Resetting Factory Defaults")

[996] Restore PC5132 Factory Default Programming
 (Section 5.28 "Resetting Factory Defaults")

[997] Restore PC5400 Factory Default Programming
 (Section 5.28 "Resetting Factory Defaults")

[999] Restore PC1555 Factory Default Programming
 (Section 5.28 "Resetting Factory Defaults")

Contact ID

A P P E N D I X A

The Partition ID Codes must be 4 digits. All reporting codes must be 2 digits.

The following is a list of Contact ID reporting codes. The first digit (in parentheses) will automatically be sent by the control. The last two digits are programmed to indicate specific information about the signal.

For example, if zone 1 is an entry/exit point, the alarm reporting code could be programmed as [34]. The central station would receive the following:

***BURG - ENTRY/EXIT - 1**

In the above example, the "1" indicates which zone went into alarm.



When using 2-wire smoke and Contact ID, the zone number will be identified as 99.

Event Codes (as per ADEMCO):

Medical Alarms

- (1)AA Medical
- (1)A1 Pendant Transmitter
- (1)A2 Fail to Report In

Fire Alarms

- (1)1A Fire Alarm
- (1)11 Smoke
- (1)12 Combustion
- (1)13 Water Flow
- (1)14 Heat
- (1)15 Pull Station
- (1)16 Duct
- (1)17 Flame
- (1)18 Near Alarm

Panic Alarms

- (1)2A Panic
- (1)21 Duress
- (1)22 Silent
- (1)23 Audible

Burglar Alarms

- (1)3A Burglary
- (1)31 Perimeter
- (1)32 Interior
- (1)33 24 Hour
- (1)34 Entry / Exit
- (1)35 Day / Night
- (1)36 Outdoor
- (1)37 Tamper
- (1)38 Near Alarm

General Alarms

- (1)4A General Alarm
- (1)43 Exp. module failure
- (1)44 Sensor tamper
- (1)45 Module Tamper
- (1)4A Cross Zone Police Code

24 Hour Non-Burglary

- (1)5A 24 Hour non-Burg
- (1)51 Gas detected
- (1)52 Refrigeration
- (1)53 Loss of Heat
- (1)54 Water Leakage
- (1)55 Foil Break
- (1)56 Day Trouble
- (1)57 Low bottled Gas level
- (1)58 High Temp
- (1)59 Low Temp
- (1)61 Loss of Air Flow

Fire Supervisory

- (2)AA 24 Hour non-Burg
- (2)A1 Low Water Pressure
- (2)A2 Low CO2
- (2)A3 Gate Valve Sensor
- (2)A4 Low water level
- (2)A5 Pump activated
- (2)A6 Pump failure

System Troubles

- (3)AA System Trouble
- (3)A1 AC Loss
- (3)A2 Low System Battery
- (3)A3 RAM checksum bad*
- (3)A4 ROM checksum bad*
- (3)A5 System Reset*
- (3)A6 Panel prog. changed*
- (3)A7 Self-test failure
- (3)A8 System Shutdown
- (3)A9 Battery Test Failure
- (3)1A Ground Fault

Sounder / Relay Troubles

- (3)2A Sounder / Relay
- (3)21 Bell 1
- (3)22 Bell 2
- (3)23 Alarm Relay
- (3)24 Trouble Relay
- (3)25 Reversing

System Peripheral Troubles

- (3)3A System Peripheral
- (3)31 Polling Loop Open
- (3)32 Polling Loop Short
- (3)33 Exp. Module Failure
- (3)34 Repeater Failure
- (3)35 Local Printer Paper Out
- (3)36 Local Printer Failure

Communication Troubles

- (3)5A Communication
- (3)51 Telco 1 Fault
- (3)52 Telco 2 Fault
- (3)53 Lng-Rnge Rad. xmtr. fault
- (3)54 Fail to Communicate
- (3)55 Loss of radio super.
- (3)56 Loss of central polling

Protection Loop Troubles

- (3)7A Protection Loop
- (3)71 Protection Loop open
- (3)72 Protection Loop short
- (3)73 Fire Trouble

Sensor Troubles

- (3)8A Sensor Trouble
- (3)81 Loss of super. RF
- (3)82 Loss of super. RPM
- (3)83 Sensor Tamper
- (3)84 RF xmitter low batter

Open / Close

- (4)AA Open / Close
- (4)A1 O / C by User
- (4)A2 Group O / C
- (4)A3 Automatic O / C
- (4)A4 Late to O / C
- (4)A5 Deferred O / C
- (4)A6 Cancel
- (4)A7 Remote Arm / Disarm
- (4)A8 Quick Arm
- (4)A9 Keyswitch O / C

Remote Access

- (4)11 Callback request made*
- (4)12 Successful Download access*
- (4)13 Unsuccessful access*
- (4)14 System Shutdown
- (4)15 Dialer Shutdown

Access Control

- (4)21 Access denied
- (4)22 Access report by user

Miscellaneous

- (4)56 Partial close
- (4)59 Recent close

System Disables

- (5)AA-(5)1A

Sounder / Relay Disables

- (5)2A Sounder / Relay disable
- (5)21 Bell 1 disable
- (5)22 Bell 2 disable
- (5)23 Alarm relay disable
- (5)24 Trouble relay disable
- (5)25 Reversing relay disable

System Peripheral Disables

- (5)3A-54A

Communication Disables

- (5)51 Dialer disabled
- (5)52 Radio xmitter disabled

Bypasses

- (5)7A Zone bypass
- (5)71 Fire bypass
- (5)72 24 Hour zone bypass
- (5)73 Burg bypass
- (5)74 Group bypass

Test / Misc.

- (6)A1 Manual Trigger Test*
- (6)A2 Periodic Test report*
- (6)A3 Periodic RF xmission*
- (6)A4 Fire test*
- (6)A5 Status report to follow*
- (6)A6 Listen-in to follow
- (6)A7 Walk test mode
- (6)23 Event buffer 90% full

* Restore not applicable

SIA Format

A P P E N D I X B

SIA Format

Level 2 (Hardcoded)

The SIA communication format used in this product follows the level 2 specifications of the SIA Digital Communication Standard - January 1996. This format will send the Account Code along with its data transmission. The transmission would look similar to the following at the receiver:

N Ri01 BA 01

N = New Event

Ri01 = Partition / Area Identifier

BA = Burglary Alarm

01 = Zone 1

PC1555 Reporting Codes

SIA Identifiers & Auto-Reporting Code

Delay Zone Alarm/Restore	BA-XX / BH-XX *
Instant Zone Alarm/Restore	BA-XX / BH-XX *
Interior Zone Alarm/Restore	BA-XX / BH-XX *
Delay S.A. Zone Alarm/Restore	BA-XX / BH-XX *
Interior S.A. Zone Alarm/Restore	BA-XX / BH-XX *
24 Hr Burg Zone Alarm/Restore.....	BA-XX / BH-XX *
Standard Fire Zone Alarm/Restore	FA-XX / FH-XX *
Delayed Fire Zone Alarm/Restore	FA-XX / FH-XX *
24 Hr Supervisory Buzzer Zone Alarm/Restore	UA-XX / UH-XX *
24 Hr Supervisory Zone Alarm/Restore	UA-XX / UH-XX *
24 Hr Medical Zone Alarm/Restore	MA-XX / MH-XX *
24 Hr Panic Zone Alarm/Restore	PA-XX / PH-XX *
24 Hr Holdup Zone Alarm/Restore	HA-XX / HH-XX *
24 Hr Gas Zone Alarm/Restore	GA-XX / GH-XX *
24 Hr Heat Zone Alarm/Restore	KA-XX / KH-XX *
24 Hr Emergency Zone Alarm/Restore	QA-XX / QH-XX *
24 Hr Sprinkler Zone Alarm/Restore	SA-XX / SH-XX *
24 Hr Water Zone Alarm/Restore	WA-XX / WH-XX *
24 Hr Freeze Zone Alarm/Restore	ZA-XX / ZH-XX *
24 Hr Latching Tamper Alarm/Restore	BA-XX / BH-XX *
Duress Alarm	HA-00
Opening After Alarm	OR-00
Recent Closing	CR-00
Zone Expander Supervisory Alarm/Restore	UA-00/UH-00
Keypad Fire Alarm/Restore	FA-00 / FH-00
Keypad Auxiliary Alarm/Restore	MA-00 / MH-00
Keypad Panic Alarm/Restore	PA-00 / PH-00
2-wire Smoke Alarm/Restore	FA-99 / FH-99
Audible/Silent 24 Hr	UA-99 / UH-99

PC1555 Reporting Codes

SIA Identifiers & Auto-Reporting Code

Zone Tamper (1-8)	TA-XX *
Zone Tamper Restorals (1-8)	TR-XX *
General System Tamper/Restore	TA-00 / TR-00
Keypad Lockout	JA-00
Closing By Access Codes 1-32, 33, 34, 40-42	CL-XX◆
Partial Closing	CG-XX▼
Special Closing (DLS, Keys, Maint, Quick)	CL-00
Opening By Access Codes 1-32, 33, 34, 40-42	OP-XX◆
Auto-Arm Cancellation	CE-00
Special Opening (DLS, Keys, Maint)	OP-00
Battery Trouble Alarm/Restore	YT-00/YR-00
AC Failure Trouble Alarm/Restore	AT-00/AR-00
Bell Circuit Trouble Alarm/Restore	UT-99/UJ-99
Fire Trouble Alarm/Restore	FT-00/FJ-00
Auxiliary Power Supply Trouble Alarm/Restore	YP-00/YQ-00
TLM Trouble Code (via LINKS)	LT-00
General System Trouble/Restore	YX-00/YZ-00
General System Supervisory/Restore	ET-00/ER-00
TLM Restoral	LR-00
FTC Restoral	YK-00
Event Buffer 75% Full Since Last Upload	JL-00
DLS Lead In	RB-00
DLS Lead Out (Successful)	RS-00
Periodic Test Transmission	RP-00
System Test	RX-00
LINKS1000 Test Transmission Code	TX-00
General Transmitter Low Battery/Restore	XT-00/XR-00
General Zone Trouble/Restore	UT-00/UJ-00
Cross Zone Police Code	BV-00
Delinquency Code	CD-00

* Zone Number is Identified

◆ User Number is Identified

▼ Each Zone Number is Identified (using UB-XX)

NOTE: Activity Delinquency will transmit the identifier for Closing Delinquency (CD-00).

Programming LCD Keypads

A P P E N D I X C

If you have an LCD5500Z Keypad, additional programming is required for proper operation. The following is a description of the available programming options and their accompanying programming sections:

How to Enter LCD Programming

Follow the programming procedure as outlined in Section 4 by pressing [★] [8] [Installer's Code]. Press the [★] key. Enter the two digit Section number to be programmed.

Programmable Labels – Sections [01] - [08], [33], [34], [40], [44], [51], [52]

Zone labels and other LCD display identifiers can be customized to make operation of the system easier for the end user. The following procedure should be used for creating all LCD labels:

- Enter Installer's Programming. Enter the Number corresponding to the label to be programmed.
- Use the arrow keys (<>) to move the underline bar underneath the letter to be changed.
- Press the number key [1] to [9] corresponding to the letter you require. The first time you press the number the first letter will appear. Pressing the number key again will display the next letter. Refer to the following chart:
 [1] - A, B, C, 1 [2] - D, E, F, 2 [3] - G, H, I, 3 [4] - J, K, L, 4 [5] - M, N, O, 5
 [6] - P, Q, R, 6 [7] - S, T, U, 7 [8] - V, W, X, 8 [9] - Y, Z, 9,0 [0] - Space
- When the required letter or number is displayed use the arrow keys (<>) to scroll to the next letter.
- When you are finished programming the Zone Label, press the [★] key, scroll to "Save," then press [★].
- Continue from Step 2 until all labels are programmed.

[01] to [08] Zone Labels (14 Characters)

Default: "Zone 1" _____
 Default: "Zone 2" _____
 Default: "Zone 3" _____
 Default: "Zone 4" _____
 Default: "Zone 5" _____
 Default: "Zone 6" _____
 Default: "Zone 7" _____
 Default: "Zone 8" _____

[33] Fire Alarm Label (14 Characters)

Default: "Fire Zone" _____

[34] System Label (14 Characters)

Default: "System" _____

[40] to [44] [★] [7] [1-2] Command Output Option Labels (14 Characters)

[40] Default: "Command O/P 1" _____

[44] Default: "Command O/P 2" _____

[51] Fail to Arm Event Message

Default: "System Has Failed to Arm" _____

[52] Alarm When Armed Event Message

Default: "Alarm Occurred While Armed < >" _____

[60] First User Display Mask

Default	Option	ON	OFF
ON _____	1	Hold [P]anic Keys prompt ON	Hold [P]anic Keys prompt OFF
ON _____	2	Zone Bypassing prompt ON	Zone Bypass prompt OFF
ON _____	3	Troubles prompt ON	Troubles prompt OFF
ON _____	4	Alarm Memory prompt ON	Alarm Memory prompt OFF
ON _____	5	Door Chime Control prompt ON	Door Chime Control prompt OFF
ON _____	6	Access Codes prompt ON	Access Codes prompt OFF
ON _____	7	User Functions prompt ON	User Functions prompt OFF
ON _____	8	Output Control prompt ON	Output Control prompt OFF

[61] Second User Display Mask

Default	Option	ON	OFF
OFF <input type="checkbox"/>	1	Installer Programming prompt ON	Installer Programming prompt OFF
ON <input type="checkbox"/>	2	Stay Arm prompt ON	Stay Arm prompt OFF
ON <input type="checkbox"/>	3	Quick Arm prompt ON	Quick Arm prompt OFF
ON <input type="checkbox"/>	4	Interior Arm prompt ON	Interior Arm prompt OFF
OFF <input type="checkbox"/>	5	Quick Exit prompt ON	Quick Exit prompt OFF
ON <input type="checkbox"/>	6	View Event Buffer prompt ON	View Event Buffer prompt OFF
OFF <input type="checkbox"/>	7-8	For Future Use	

[62] Third User Display Mask

Default	Option	ON	OFF
ON <input type="checkbox"/>	1	System Test prompt ON	System Test prompt OFF
ON <input type="checkbox"/>	2	Time and Date prompt ON	Time and Date prompt OFF
ON <input type="checkbox"/>	3	Auto-Arm Control prompt ON	Auto-Arm Days prompt OFF
ON <input type="checkbox"/>	4	Auto-Arm Time prompt ON	Auto-Arm Time prompt OFF
ON <input type="checkbox"/>	5	Download Enable prompt ON	Download Enable prompt OFF
ON <input type="checkbox"/>	6	Bright Control prompt ON	Bright Control prompt OFF
ON <input type="checkbox"/>	7	Contrast Control prompt ON	Contrast Control prompt OFF
ON <input type="checkbox"/>	8	Buzzer Control prompt ON	Buzzer Control prompt OFF

[63] Downloaded LCD Message Duration

Default: 003 (Valid entries are 000-255, 000=Unlimited Message Display. This number represents the number of times the Downloaded message is cleared by pressing any key while the message is up after timeout)

[64] Key Options

Default	Option	ON	OFF
ON <input type="checkbox"/>	1	[F]ire Keys enabled	[F]ire Keys disabled
ON <input type="checkbox"/>	2	[A]uxiliary Keys enabled	[A]uxiliary Keys disabled
ON <input type="checkbox"/>	3	[P]anic Keys enabled	[P]anic Keys disabled

[65] Fourth User Display Mask

Default	Option	ON	OFF
ON <input type="checkbox"/>	1	User Initiated Call-up Prompt ON	User Initiated Call-up Prompt OFF
OFF <input type="checkbox"/>	2	For Future Use	
OFF <input type="checkbox"/>	3	For Future Use	
ON <input type="checkbox"/>	4	Command Output #1 prompt ON	Command Output #1 prompt OFF
ON <input type="checkbox"/>	5	Command Output #2 prompt ON	Command Output #2 prompt OFF
OFF <input type="checkbox"/>	6	For Future Use	
OFF <input type="checkbox"/>	7	For Future Use	

[66] Keypad Options

Default	Option	ON	OFF
ON <input type="checkbox"/>	1	Display Access Code when Programming	Display 'X' when Programming
ON <input type="checkbox"/>	2	Local Clock Display Enabled	Local Clock Display Disabled
OFF <input type="checkbox"/>	3	Local Clock Displays 24 Hour time	Local Clock Displays AM/PM
ON <input type="checkbox"/>	4	Auto Alarm Memory Scroll Enabled	Auto Alarm Memory Scroll Disabled
OFF <input type="checkbox"/>	5-8	For Future Use	

[97] View Software Version

[98] Initiate Global Label Broadcast

All LCD programming is done per keypad. If more than one LCD keypad are present on the system, and the PC5400 receives labels, labels programmed at one keypad can be broadcast to all other LCD keypads. Perform the following procedure in order to broadcast labels:

Step 1 - Program one LCD keypad completely.

Step 2 - Make sure all LCD keypads are connected to the Keybus.

Step 3 - Enter Installer's Programming, then enter Section [98] at the keypad that was programmed. The keypad will now broadcast all the information programmed to all the other LCD keypads on the system.

Step 4 - When the keypad is finished press the [#] key to exit.

[99] Reset LCD EEPROM to Factory Defaults

ASCII Characters

	#	&)	,	/	<	?	^		+	µ	g	ñ	q	Σ	÷
032	035	038	041	044	047	060	063	094	124	127	228	231	238	241	246	253
!	\$	'	*	-	:	=	@	_)	.	ε	j	ö	Ω	×	
033	036	039	042	045	058	061	064	095	125	176	229	234	239	244	248	254
"	%	(+	.	;	>]	(+	ä	ρ	φ	ρ	ü	y	■
034	037	040	043	046	059	062	093	123	126	225	230	236	240	245	249	255

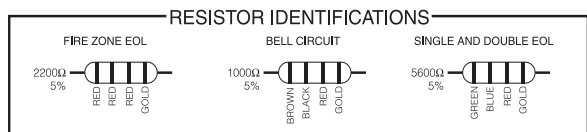
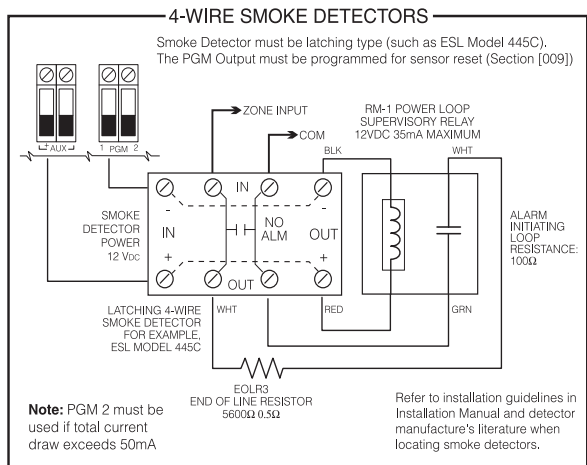
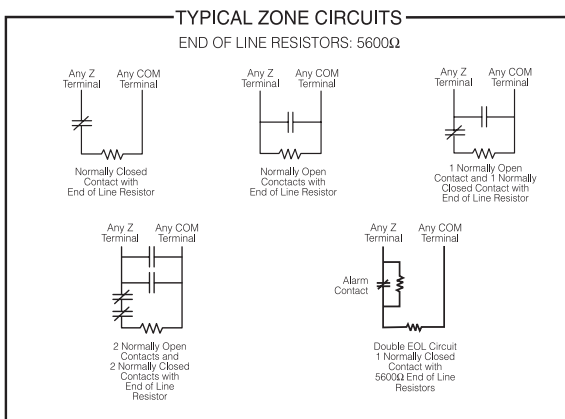
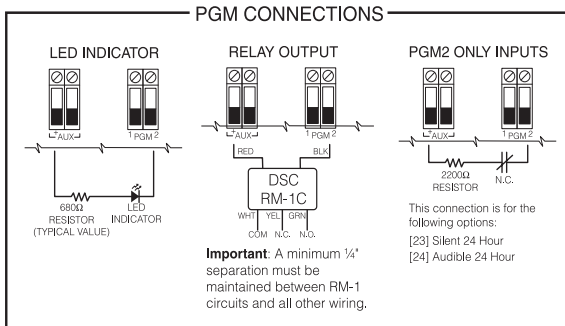
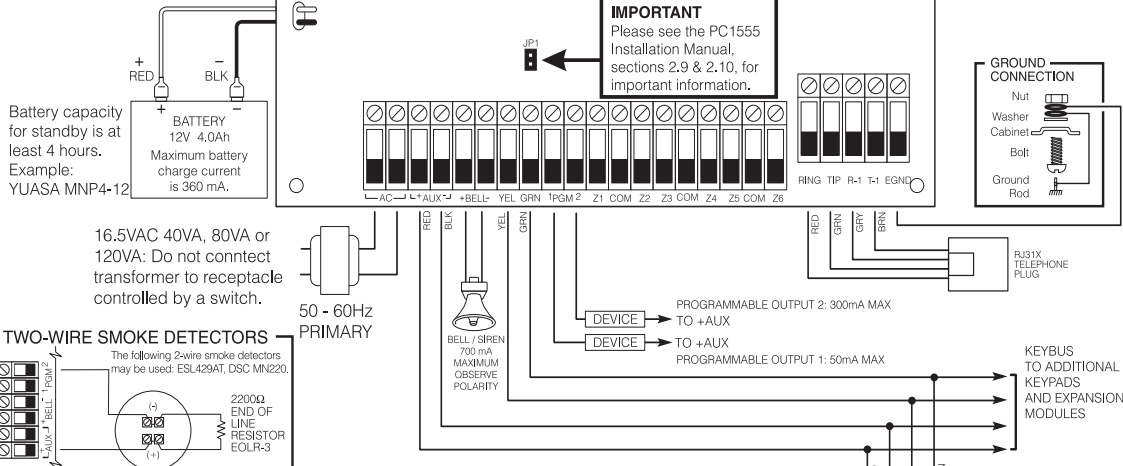
NOTES:

PC1555 Control Panel Wiring Diagram

PC1555 CONTROL PANEL WIRING DIAGRAM

WARNING
High voltage.
Disconnect AC power and telephone lines prior to servicing.

Incorrect connections may result in fuse failure or improper operation. Inspect wiring and ensure connections are correct before applying power. Do not route any wiring over circuit boards. Maintain at least 1" (25.4mm) distance.



WARNING: Not to be removed by anyone except occupant.



© 1997 Digital Security Controls Ltd.
1645 Flint Road, Downsview, Ontario, Canada M3J 2J6
Tel. (416) 665-8460 • Fax (416) 665-7498
Printed in Canada 29002398 R1

• W A R N I N G •

This manual contains information on limitations regarding product use and function and information on the limitations as to liability of the manufacturer. The entire manual should be carefully read.

Installation Manual

DSC[®]
Classic
PC1555

Software Version 2.0 (2-wire Smoke Option)
DLS-1 v6.3 and up

NOTICE: The Industry Canada label identifies certified equipment. This certification means that the equipment meets certain telecommunications network protective, operational and safety requirements. Industry Canada does not guarantee the equipment will operate to the user's satisfaction.

Before installing this equipment, users should ensure that it is permissible to be connected to the facilities of the local telecommunications company. The equipment must also be installed using an acceptable method of connection. The customer should be aware that compliance with the above conditions may not prevent degradation of service in some situations.

Repairs to certified equipment should be made by an authorized Canadian maintenance facility designated by the supplier. Any repairs or alterations made by the user to this equipment, or equipment malfunctions, may give the telecommunications company cause to request the user to disconnect the equipment.

User should ensure for their own protection that the electrical ground connections of the power utility, telephone lines and internal metallic water pipe system, if present, are connected together. This precaution may be particularly important in rural areas.

CAUTION: Users should not attempt to make such connections themselves, but should contact the appropriate electric inspection authority, or electrician, as appropriate.

NOTICE: The Ringer Equivalence Number (REN) assigned to each terminal device provides an indication of the maximum number of terminals allowed to be connected to a telephone interface. The termination on an interface may consist of any combination of devices subject only to the requirement that the sum of the Ringer Equivalence Number of all the devices does not exceed 5.

The REN of this unit is 0.1

AVIS: L'étiquette de l'Industrie Canada identifie le matériel homologué. Cette étiquette certifie que le matériel est conforme à certaines normes de protection, d'exploitation et de sécurité des réseaux de télécommunications. Industrie Canada n'assure toutefois pas que le matériel fonctionnera à la satisfaction de l'utilisateur. Avant d'installer ce matériel, l'utilisateur doit s'assurer qu'il est permis de le raccorder aux installations de l'entreprise locale de télécommunication. Le matériel doit également être installé en suivant une méthode acceptée de raccordement. L'abonné ne doit pas oublier qu'il est possible que la conformité aux conditions énoncées ci-dessus n'empêchent pas la dégradation du service dans certaines situations.

Les réparations de matériel homologué doivent être effectuées par un centre d'entretien canadien autorisé désigné par le fournisseur. La compagnie de télécommunications peut demander à l'utilisateur de débrancher un appareil à la suite de réparations ou de modifications effectuées par l'utilisateur ou à cause de mauvais fonctionnement. Pour sa propre protection, l'utilisateur doit s'assurer que tous les fils de mise à la terre de la source d'énergie électrique, les lignes téléphoniques et les canalisations d'eau métalliques, s'il y en a, sont raccordés ensemble. Cette précaution est particulièrement importante dans les régions rurales.

AVERTISSEMENT: L'utilisateur ne doit pas tenter de faire ces raccordements lui-même; il doit avoir recours à un service d'inspection des installations électriques, ou à un électricien, selon le cas.

AVIS: L'indice d'équivalence de la sonnerie (IES) assigné à chaque dispositif terminal indique le nombre maximal de terminaux qui peuvent être raccordés à une interface. La terminaison d'une interface téléphonique peut consister en une combinaison de quelques dispositifs, à la seule condition que la somme d'indices d'équivalence de la sonnerie de tous les dispositifs n'excède pas 5.

L'indice d'équivalence de la sonnerie (IES) de ce produit est 0.1

FCC COMPLIANCE STATEMENT

CAUTION: Changes or modifications not expressly approved by Digital Security Controls Ltd. could void your authority to use this equipment.

This equipment has been tested and found to comply with the limits for a Class B digital device, pursuant to Part 15 of the FCC Rules. These limits are designed to provide reasonable protection against harmful interference in a residential installation. This equipment generates, uses and can radiate radio frequency energy and, if not installed and used in accordance with the instructions, may cause harmful interference to radio communications. However, there is no guarantee that interference will not occur in a particular installation. If this equipment does cause harmful interference to radio or television reception, which can be determined by turning the equipment off and on, the user is encouraged to try to correct the interference by one or more of the following measures:

° Re-orient the receiving antenna.

° Increase the separation between the equipment and receiver.

° Connect the equipment into an outlet on a circuit different from that to which the receiver is connected.

° Consult the dealer or an experienced radio/television technician for help.

The user may find the following booklet prepared by the FCC useful: "How to Identify and Resolve Radio/Television Interference Problems". This booklet is available from the U.S. Government Printing Office, Washington D.C. 20402, Stock # 004-000-00345-4.

IMPORTANT INFORMATION

This equipment complies with Part 68 of the FCC Rules. On the side of this equipment is a label that contains, among other information, the FCC registration number of this equipment.

NOTIFICATION TO TELEPHONE COMPANY The customer shall notify the telephone company of the particular line to which the connection will be made, and provide the FCC registration number and the ringer equivalence of the protective circuit.

FCC Registration Number: F53CAN-32028-AL-E

Facility Interface Code: 02LS2

Ringer Equivalence Number: 0.1B

Service Order Code: 9.0F

USOC Jack: RJ31X

TELEPHONE CONNECTION REQUIREMENTS Except for the telephone company provided ringers, all connections to the telephone network shall be made through standard plugs and telephone company provided jacks,

or equivalent, in such a manner as to allow for easy, immediate disconnection of the terminal equipment. Standard jacks shall be so arranged that, if the plug connected thereto is withdrawn, no interference to the operation of the equipment at the customer's premises which remains connected to the telephone network shall occur by reason of such withdrawal.

INCIDENCE OF HARM Should terminal equipment or protective circuitry cause harm to the telephone network, the telephone company shall, where practicable, notify the customer that temporary disconnection of service may be required; however, where prior notice is not practicable, the telephone company may temporarily discontinue service if such action is deemed reasonable in the circumstances. In the case of such temporary discontinuance, the telephone company shall promptly notify the customer and will be given the opportunity to correct the situation.

ADDITIONAL TELEPHONE COMPANY INFORMATION The security control panel must be properly connected to the telephone line with a USOC RJ-31X telephone jack.

The FCC prohibits customer-provided terminal equipment be connected to party lines or to be used in conjunction with coin telephone service. Interconnect rules may vary from state to state.

CHANGES IN TELEPHONE COMPANY EQUIPMENT OR FACILITIES

The telephone company may make changes in its communications facilities, equipment, operations or procedures, where such actions are reasonably required and proper in its business. Should any such changes render the customer's terminal equipment incompatible with the telephone company facilities the customer shall be given adequate notice to the effect modifications to maintain uninterrupted service.

RINGER EQUIVALENCE NUMBER (REN) The REN is useful to determine the quantity of devices that you may connect to your telephone line and still have all of those devices ring when your telephone number is called. In most, but not all areas, the sum of the RENs of all devices connected to one line should not exceed five (5.0). To be certain of the number of devices that you may connect to your line, you may want to contact your local telephone company.

EQUIPMENT MAINTENANCE FACILITY If you experience trouble with this telephone equipment, please contact the facility indicated below for information on obtaining service or repairs. The telephone company may ask that you disconnect this equipment from the network until the problem has been corrected or until you are sure that the equipment is not malfunctioning.

Digital Security Controls Ltd. 160 Washburn St., Lockport, NY 14094

Table of Contents

Limited Warranty	ii	5.7 Communicator – Phone Numbers	17
Section 1: System Introduction	1	5.8 Communicator – Reporting Codes	17
1.1 Specifications	1	5.9 Communicator – Reporting Formats	20
1.2 Additional Devices	2	5.10 Downloading	21
1.3 Out of the Box	2	5.11 PGM Output Options	21
Section 2: Getting Started	3	5.12 Telephone Line Monitor (TLM)	23
2.1 Installation Steps	3	5.13 Siren	23
2.2 Terminal Descriptions	3	5.14 Test Transmission	24
2.3 Keybus Operation and Wiring	4	5.15 Transmission Delay	24
2.4 Current Ratings – Modules and Accessories	4	5.16 Fire, Auxiliary and Panic Keys	24
2.5 Keypad Enrollment	5	5.17 Arming/Disarming Options	24
2.6 Supervision	5	5.18 Entry/Exit Delay Options	25
2.7 Removing Modules	5	5.19 Swinger Shutdown	25
2.8 Zone Wiring	5	5.20 Event Buffer	25
2.9 Fire Zone Wiring	6	5.21 Keypad Lockout Options	25
2.10 24-Hr Auxiliary Input Wiring (PGM2)	6	5.22 Keypad Blanking	25
2.11 LINKS Zone Wiring	6	5.23 Keypad Backlighting	26
2.12 Keypad Zones	7	5.24 Loop Response	26
Section 3: Keypad Commands	8	5.25 Keypad Tamper	26
3.1 Arming and Disarming	8	5.26 LINKS 1000 Cellular Communicator	26
3.2 Auto Bypass – Stay Arming	8	5.27 Additional System Modules	26
3.3 Automatic Arming	8	5.28 Resetting Factory Defaults	26
3.4 [★] Commands	8	5.29 Installer's Lockout	27
3.5 Function Keys	12	5.30 Walk Test (Installer)	27
3.6 Features Available for the LCD5500Z	12	Section 6: Programming Worksheets	28
Section 4: How to Program	13	For the Record	28
4.1 Installer's Programming	13	Keypad Programming	29
4.2 Programming Decimal Data	13	Basic Programming	30
4.3 Programming HEX Data	13	Advanced System Programming	33
4.4 Programming Toggle Option Sections	14	Communicator Programming	35
4.5 Viewing Programming	14	Downloading Options	40
Section 5: Program Descriptions	15	Module Programming	41
5.1 Programming Security Codes	15	Special Installer Functions	41
5.2 Zone Programming	15	Appendix A: Contact ID	42
5.3 Zone Attributes	16	Appendix B: SIA Format	43
5.4 Assigning Keypad Zones	16	Appendix C: Programming LCD Keypads	44
5.5 Communicator – Dialing	17	PC1555 Control Panel Wiring Diagram	46
5.6 Communicator – Account Numbers	17		

LIMITED WARRANTY

Digital Security Controls Ltd. warrants the original purchaser that for a period of twelve months from the date of purchase, the product shall be free of defects in materials and workmanship under normal use. During the warranty period, Digital Security Controls Ltd. shall, at its option, repair or replace any defective product upon return of the product to its factory, at no charge for labour and materials. Any replacement and/or repaired parts are warranted for the remainder of the original warranty or ninety (90) days, whichever is longer. The original owner must promptly notify Digital Security Controls Ltd. in writing that there is defect in material or workmanship, such written notice to be received in all events prior to expiration of the warranty period.

International Warranty

The warranty for international customers is the same as for any customer within Canada and the United States, with the exception that Digital Security Controls Ltd. shall not be responsible for any customs fees, taxes, or VAT that may be due.

Warranty Procedure

To obtain service under this warranty, please return the item(s) in question to the point of purchase. All authorized distributors and dealers have a warranty program. Anyone returning goods to Digital Security Controls Ltd. must first obtain an authorization number. Digital Security Controls Ltd. will not accept any shipment whatsoever for which prior authorization has not been obtained.

Conditions to Void Warranty

This warranty applies only to defects in parts and workmanship relating to normal use. It does not cover:

- damage incurred in shipping or handling;
- damage caused by disaster such as fire, flood, wind, earthquake or lightning;
- damage due to causes beyond the control of Digital Security Controls Ltd. such as excessive voltage, mechanical shock or water damage;
- damage caused by unauthorized attachment, alterations, modifications or foreign objects;
- damage caused by peripherals (unless such peripherals were supplied by Digital Security Controls Ltd.);
- defects caused by failure to provide a suitable installation environment for the products;
- damage caused by use of the products for purposes other than those for which it was designed;
- damage from improper maintenance;
- damage arising out of any other abuse, mishandling or improper application of the products.

Digital Security Controls Ltd.'s liability for failure to repair the product under this warranty after a reasonable number of attempts will be limited to a replacement of the product, as the exclusive remedy for breach of warranty. Under no circumstances shall Digital Security Controls Ltd. be liable for any special, incidental, or consequential damages based upon breach of warranty, breach of contract, negligence, strict liability, or any other legal theory. Such damages include, but are not limited to, loss of profits, loss of the product or any associated equipment, cost of capital, cost of substitute or replacement equipment, facilities or services, down time, purchaser's time, the claims of third parties, including customers, and injury to property.

Disclaimer of Warranties

This warranty contains the entire warranty and shall be in lieu of any and all other warranties, whether expressed or implied (including all implied warranties of merchantability or fitness for a particular purpose) And of all other obligations or liabilities on the part of Digital Security Controls Ltd. Digital Security Controls Ltd. neither assumes nor authorizes any other person purporting to act on its behalf to modify or to change this warranty, nor to assume for it any other warranty or liability concerning this product.

This disclaimer of warranties and limited warranty are governed by the laws of the province of Ontario, Canada.

WARNING: Digital Security Controls Ltd. recommends that the entire system be completely tested on a regular basis. However, despite frequent testing, and due to, but not limited to, criminal tampering or electrical disruption, it is possible for this product to fail to perform as expected.

Installer's Lockout

Any products returned to DSC which have the Installer's Lockout option enabled and exhibit no other problems will be subject to a service charge.

Out of Warranty Repairs

Digital Security Controls Ltd. will at its option repair or replace out-of-warranty products which are returned to its factory according to the following conditions. Anyone returning goods to Digital Security Controls Ltd. must first obtain an authorization number. Digital Security Controls Ltd. will not accept any shipment whatsoever for which prior authorization has not been obtained.

Products which Digital Security Controls Ltd. determines to be repairable will be repaired and returned. A set fee which Digital Security Controls Ltd. has predetermined and which may be revised from time to time, will be charged for each unit repaired.

Products which Digital Security Controls Ltd. determines not to be repairable will be replaced by the nearest equivalent product available at that time. The current market price of the replacement product will be charged for each replacement unit.

WARNING Please Read Carefully

Note to Installers

This warning contains vital information. As the only individual in contact with system users, it is your responsibility to bring each item in this warning to the attention of the users of this system.

System Failures

This system has been carefully designed to be as effective as possible. There are circumstances, however, involving fire, burglary, or other types of emergencies where it may not provide protection. Any alarm system of any type may be compromised deliberately or may fail to operate as expected for a variety of reasons. Some but not all of these reasons may be:

■ Inadequate Installation

A security system must be installed properly in order to provide adequate protection. Every installation should be evaluated by a security professional to ensure that all access points and areas are covered. Locks and latches on windows and doors must be secure and operate as intended. Windows, doors, walls, ceilings and other building materials must be of sufficient strength and construction to provide the level of protection expected. A reevaluation must be done during and after any construction activity. An evaluation by the fire and/or police department is highly recommended if this service is available.

■ Criminal Knowledge

This system contains security features which were known to be effective at the time of manufacture. It is possible for persons with criminal intent to develop techniques which reduce the effectiveness of these features. It is important that a security system be reviewed periodically to ensure that its features remain effective and that it be updated or replaced if it is found that it does not provide the protection expected.

■ Access by Intruders

Intruders may enter through an unprotected access point, circumvent a sensing device, evade detection by moving through an area of insufficient coverage, disconnect a warning device, or interfere with or prevent the proper operation of the system.

■ Power Failure

Control units, intrusion detectors, smoke detectors and many other security devices require an adequate power supply for proper operation. If a device operates from batteries, it is possible for the batteries to fail. Even if the batteries have not failed, they must be charged, in good condition and installed correctly. If a device operates only by AC power, any interruption, however brief, will render that device inoperative while it does not have power. Power interruptions of any length are often accompanied by voltage fluctuations which may damage electronic equipment such as a security system. After a power interruption has occurred, immediately conduct a complete system test to ensure that the system operates as intended.

■ Failure of Replaceable Batteries

This system's wireless transmitters have been designed to provide several years of battery life under normal conditions. The expected battery life is a function of the device environment, usage and type. Ambient conditions such as high humidity, high or low temperatures, or large temperature fluctuations may reduce the expected battery life. While each transmitting device has a low battery monitor which identifies when the batteries need to be replaced, this monitor may fail to operate as expected. Regular testing and maintenance will keep the system in good operating condition.

■ Compromise of Radio Frequency (Wireless) Devices

Signals may not reach the receiver under all circumstances which could include metal objects placed on or near the radio path or deliberate jamming or other inadvertent radio signal interference.

■ System Users

A user may not be able to operate a panic or emergency switch possibly due to permanent or temporary physical disability, inability to reach the device in time, or unfamiliarity with the correct operation. It is important that all system users be trained in the correct operation of the alarm system and that they know how to respond when the system indicates an alarm.

■ Smoke Detectors

Smoke detectors that are a part of this system may not properly alert occupants of a fire for a number of reasons, some of which follow. The smoke detectors may have been improperly installed or positioned. Smoke may not be able to reach the smoke detectors, such as when the fire is in a chimney, walls or roofs, or on the other side of closed doors. Smoke detectors may not detect smoke from fires on another level of the residence or building.

Every fire is different in the amount of smoke produced and the rate of burning. Smoke detectors cannot sense all types of fires equally well. Smoke detectors may not provide timely warning of fires caused by carelessness or safety hazards such as smoking in bed, violent explosions, escaping gas, improper storage of flammable materials, overloaded electrical circuits, children playing with matches or arson.

Even if the smoke detector operates as intended, there may be circumstances when there is insufficient warning to allow all occupants to escape in time to avoid injury or death.

■ Motion Detectors

Motion detectors can only detect motion within the designated areas as shown in their respective installation instructions. They cannot discriminate between intruders and intended occupants. Motion detectors do not provide volumetric area protection. They have multiple beams of detection and motion can only be detected in unobstructed areas covered by these beams. They cannot detect motion which occurs behind walls, ceilings, floor, closed doors, glass partitions, glass doors or windows. Any type of tampering whether intentional or unintentional such as masking, painting, or spraying of any material on the lenses, mirrors, windows or any other part of the detection system will impair its proper operation.

Passive infrared motion detectors operate by sensing changes in temperature. However their effectiveness can be reduced when the ambient temperature rises near or above body temperature or if there are intentional or unintentional sources of heat in or near the detection area. Some of these heat sources could be heaters, radiators, stoves, barbecues, fireplaces, sunlight, steam vents, lighting and so on.

■ Warning Devices

Warning devices such as sirens, bells, horns, or strobes may not warn people or waken someone sleeping if there is an intervening wall or door. If warning devices are located on a different level of the residence or premise, then it is less likely that the occupants will be alerted or awakened. Audible warning devices may be interfered with by other noise sources such as stereos, radios, televisions, air conditioners or other appliances, or passing traffic. Audible warning devices, however loud, may not be heard by a hearing-impaired person.

■ Telephone Lines

If telephone lines are used to transmit alarms, they may be out of service or busy for certain periods of time. Also an intruder may cut the telephone line or defeat its operation by more sophisticated means which may be difficult to detect.

■ Insufficient Time

There may be circumstances when the system will operate as intended, yet the occupants will not be protected from the emergency due to their inability to respond to the warnings in a timely manner. If the system is monitored, the response may not occur in time to protect the occupants or their belongings.

■ Component Failure

Although every effort has been made to make this system as reliable as possible, the system may fail to function as intended due to the failure of a component.

■ Inadequate Testing

Most problems that would prevent an alarm system from operating as intended can be found by regular testing and maintenance. The complete system should be tested weekly and immediately after a break-in, an attempted break-in, a fire, a storm, an earthquake, an accident, or any kind of construction activity inside or outside the premises. The testing should include all sensing devices, keypads, consoles, alarm indicating devices and any other operational devices that are part of the system.

■ Security and Insurance

Regardless of its capabilities, an alarm system is not a substitute for property or life insurance. An alarm system also is not a substitute for property owners, renters, or other occupants to act prudently to prevent or minimize the harmful effects of an emergency situation.